



PCV100 Series

100W IP20 CONSTANT VOLTAGE LED LIGHTING POWER SUPPLY



Key Features:

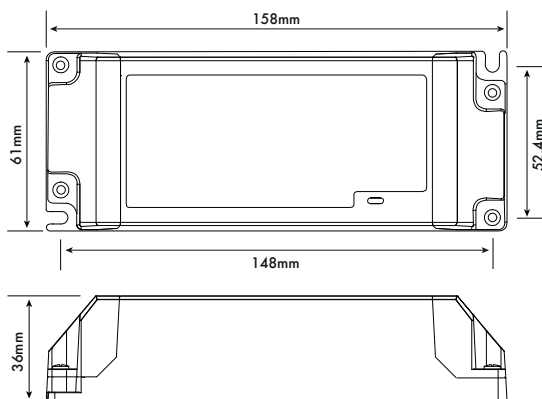
- Captive terminal screws for ease
- Snap lock cable strain relief
- LED Indicator for power on
- Over load, short circuit and thermal protection
- Class II product
- Safe no load operation
- Suitable for indoor lighting applications
- Superior latch off protection
- Energy Efficient and Energy compliant
- SELV equivalent

PCV100 SPECIFICATION

Part Code	PCV12100	PCV24100
Input Voltage	100V ~ 240VAC	
Frequency	47 ~ 63 Hz	
Power Factor	0.95	
Output Voltage	12V	24V
Current	8.33A	4.16A
Power	100W	
R&N	240mV	360mV
Efficiency (TYP.)	87%	
Over Voltage	175%, output will shut down and latch off. Turn unit off/on to restart	
Over Current	110 ~ 150%, output will shut down and latch off. Turn unit off/on to restart	
Short Circuit	Should a short circuit occur the output will shut down and latch off. Turn unit off and on to restart	
Over Temperature	Thermal, output will shut down and latch off. Turn unit off and on to restart	
Temperature	Operating: 0 ~ +40 °C; Storage: -20 ~ +85 °C	
Safety Standard	EN61347-2-13, EN61347-1, IEC61347-1, IEC61347-2-13 Approved	
EMI Standard	Meets Emissions to EN55015, EN61547, EN61000-3-2, EN61000-3-3	
Lifetime	30K hrs full load 25 °C	
Connections	Screw terminal on I/P & O/P Screw terminal on I/P & O/P	
Weight	400g	400g
Dimensions	158 x 61 x 36mm	158 x 61 x 36mm



Mechanical



PowerLed
Orion House
Calleva Park
Aldermaston
Berkshire
RG7 8SN

Contact:
Tel: 0118 9703856
enquiries@powerled.uk.com
www.powerled.uk.com

