

Outdoor motion detectors - LC-Click-N

LC-Click-N 140 UK 2.000 W



white mat, similar to RAL9010 , Part No. 93041 black mat, similar to RAL9005 , Part No. 93061

Product Information

- Motion detector with 140° detection area and 180° anti-creep zone
- Adjustable ball head
- Detection area can be restricted with blinds
- Zero crossing switching
- Simple mounting thanks to plug base
- Cable entry possible from above, from below and from behind
- Can be mounted on standard flush-mount boxes

Technical Data

Voltage:	110 - 240 V AC 50 / 60 Hz
Dimensions:	103 x 78 x 80 mm
Power consumption:	approx. 0.4 W
Detection area:	horizontal 140° (Wall mounting)
Range:	max. 12 m across max. 4 m towards max. 2 m anti-creep protection
Monitored area (tangential movement):	170 m ² / 2.5 m mounting height
Mounting height	2 m / 3 m / 2.5 m

min./max./recommended:

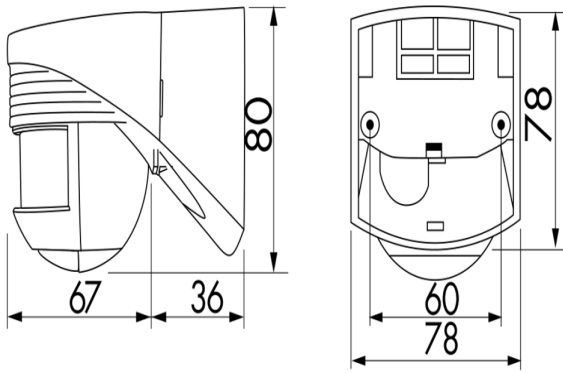
Degree / class of protection:	IP54 / Class II
Ambient temperature:	-25 °C to +50 °C
Housing:	polycarbonate, UV-resistant
Channel 1 (lighting control)	
Switching power:	2000 W, cos φ = 1 1000 VA, cos φ = 0.5 200 W LED
Type of contact:	1x μ -contact, NO contact
Follow-up time:	4 sec - 20 min
Switch-on threshold:	2 - 500 Lux

Description

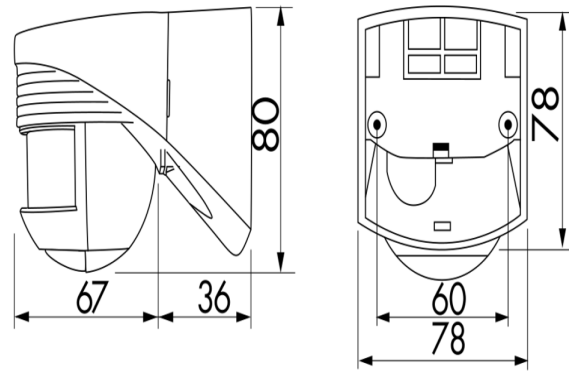
Description	Colour	Part number	EAN number
LC-Click-N 140 UK 2.000 W	white mat, similar to RAL9010	93041	4007529930418
LC-Click-N 140 UK 2.000 W	brown mat, similar to RAL8014	93051	4007529930517
LC-Click-N 140 UK 2.000 W	black mat, similar to RAL9005	93061	4007529930616

Accessory

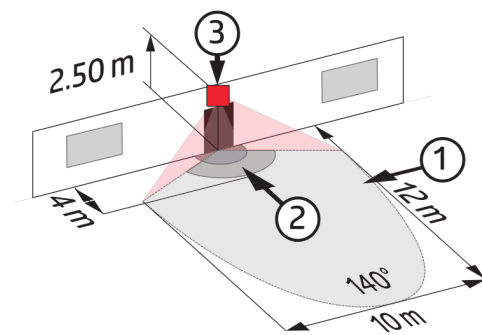
Description	Colour	Part number	EAN number
Wire basket BSK (Ø 164 x 143 mm)	white	92467	4007529924677
RC-Arc extinction kit	white	10880	4007529108800
Mini-RC-Arc extinction kit	black	10882	4007529108824



Dimensions 93061

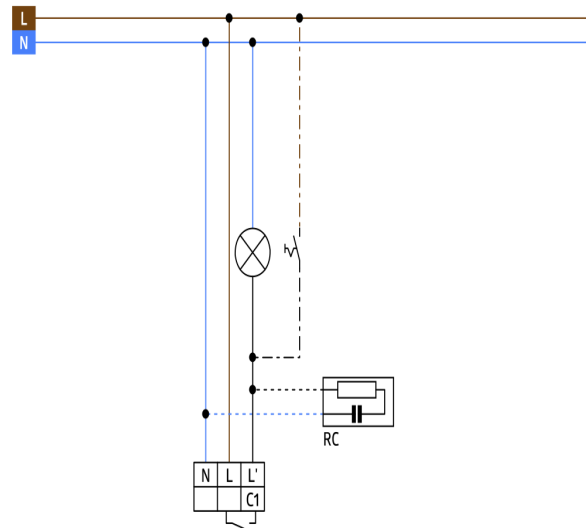


Dimensions 93041



Range diagram

- 1: Walking across
- 2: Walking towards
- 3: Anti-creep zone



Wiring diagrams