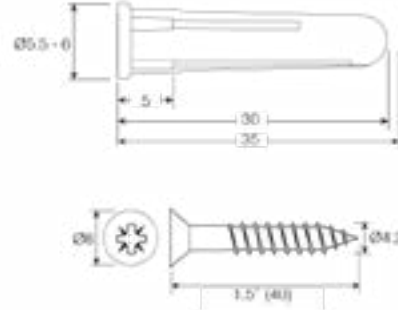


Product Code: QTT2U

Description: Trade Tub – 400 x Red Plastic Wall Plugs & 400 x 8 x 1.5” Countersunk Screws



Dimensions

Minimum Drill Depth (mm)	35
Drill Size (mm)	5.5 - 6
Maximum Fixture Depth (mm)	5
Screw Diameter (mm)	4.2
Screw Size	8 x 1.5"

General Information

Head Type	Pozi Countersunk Head
-----------	-----------------------

Materials

Material: High-density polyethylene (PEHD)
Screw: Zinc Plated Steel

