

UFSD4213 - WAFER HEAD DRILL SCREW

Description:
Steel Wafer Head Drill Screw.

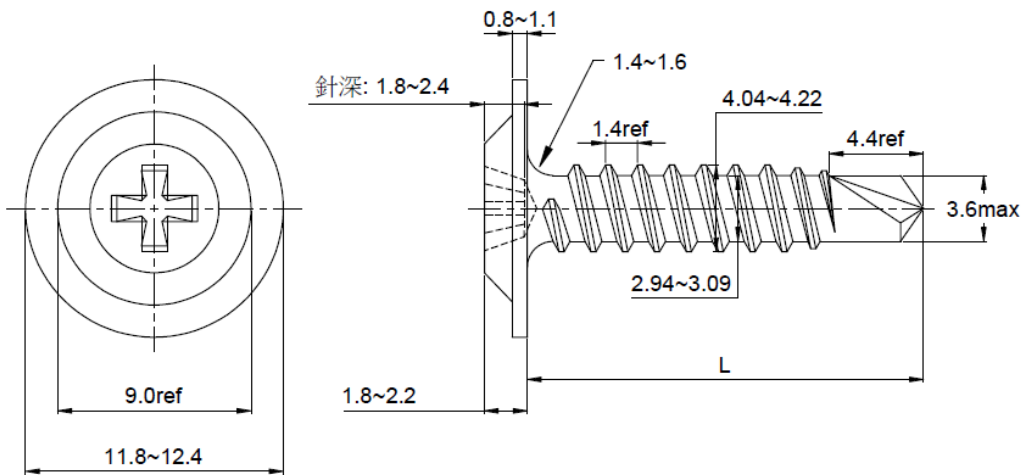
Material:
Steel C1022, Case Hardened

Finish:
BZP



UFSD4213

OTHER ADDITIONAL INFORMATION



REMARKS	
1	MATERIAL: C1022
2	SURFACE HARDNESS: MIN. 560 HV
3	CORE HARDNESS: 240 ~ 425 hv
4	DEPTH OF HARDNESS: 0.10 ~ 0.23mm

TOLERANCE ON LENGTH
13 ~ 16mm: +0.9mm
19 ~ 25mm: +1.0mm
32 ~ 50mm: +1.25mm