

P110-16 - INDUSTRIAL PLUG 3 PIN YELLOW

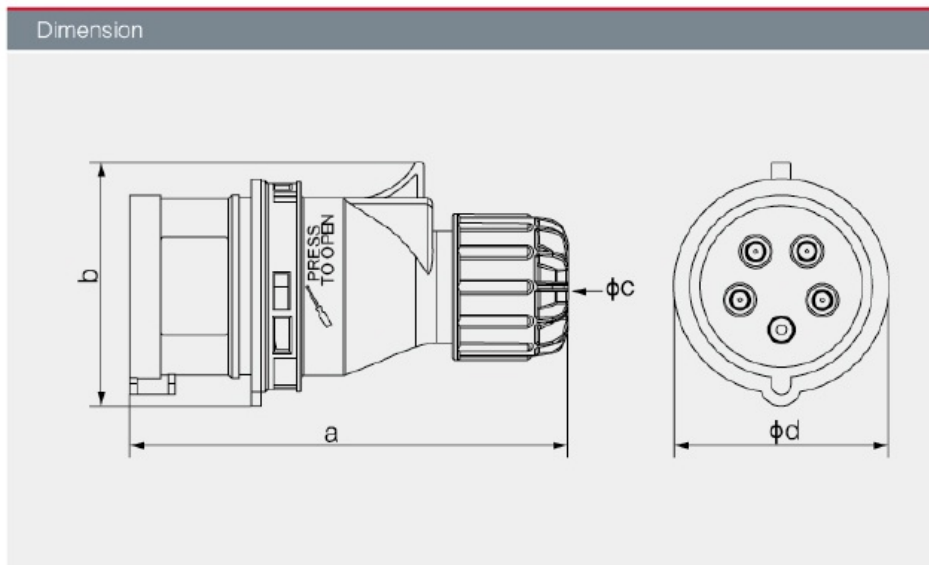
Description:
Yellow 3 Pin Industrial Plug

Ingress Protection:
IP44



P110-16

OTHER ADDITIONAL INFORMATION



Current	16A			32A		
	3	4	5	3	4	5
a	120	125	133	150	150	155
b	57	67.5	75.5	80.5	80.5	89.5
c	15	15	17	22	22	22
d	53.5	61	68	72	72	79.5
Cable size(mm ²)	1~2.5			2.5~6		