

Mainline Sigma Track Fitting

Installation instructions for GU10 Track Spotlight



Warnings and cautions

- To avoid electric shock, serious injury or property damage, isolate power before installing, removing or servicing the product
- It is recommended that luminaires are installed by a qualified electrician and the installation complies with the local current wiring regulations
- It is recommended that the ambient room temperature should not exceed 30°C
- These products are designed for connection to a mains supply of 240V~ 50Hz
- This luminaire is suitable for indoor use only
- It may be necessary to upgrade your MCBs to allow for increased inrush current
- Do not carry out insulation tests with the product connected to the circuit
- Any broken or damaged parts should be replaced as soon as possible. JCC will not accept responsibility for claims arising from sub-standard installations

INSTALLATION

ENGLISH

Specification :

Mains supply 240V 50Hz / Class I ⚡

Available finishes: black or white

Cap: GU10

Product	Wattage	IP
JC14032	50W max	IP20

Read the instructions and ensure that you have all of the tools and accessories required to complete the installation correctly. Isolate power supply before starting the installation.

You can help protect the environment. Please remember to respect the local regulations: hand in the non-working electrical equipment to an appropriate waste disposal centre. The packaging material is recyclable. Dispose of the packaging in an environmentally friendly manner and make it available for the recyclable material collection service.

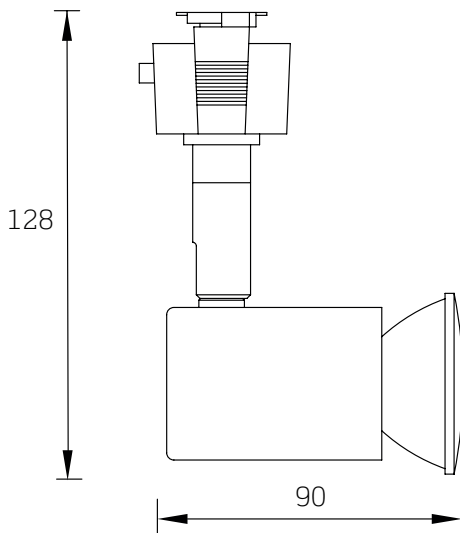
Installation

This product is to be used in conjunction with the JCC Mains Track System. The installation must not infringe on water pipes or any other electrical services.

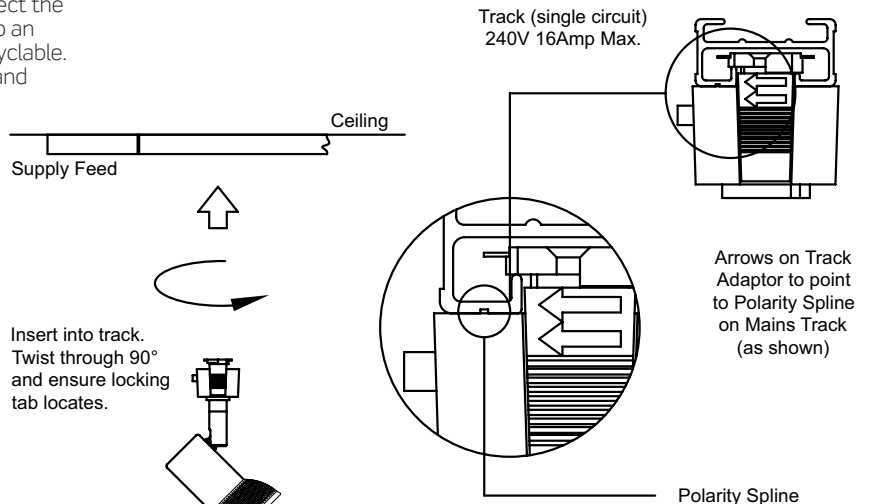
Locate fitting in track and rotate anti-clockwise, ensuring "P" polarity symbol is aligned correctly with track polarity. Observe minimum distance from nearest illuminated surface. Place lamps into lampholders. Once installed, turn on mains supply to test the luminaire.

Note: Further adjustment to the beam direction should be done with care as the lamps will get hot.

Profile & Dimensions



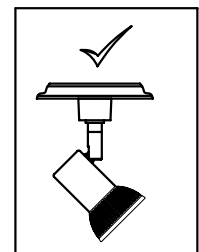
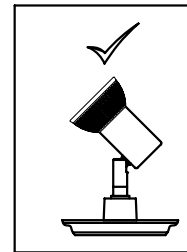
All dimensions in millimetres



Insert into track. Twist through 90° and ensure locking tab locates.

Arrows on Track Adaptor to point to Polarity Spline on Mains Track (as shown)

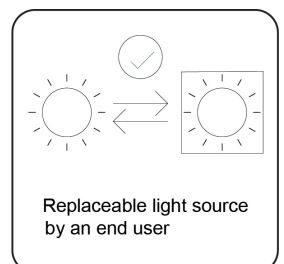
Polarity Spline



UK CA CE RoHS Compliant IP20 jcc.co.uk

Important warranty information

This product is supported by a 2-year standard warranty. (See website for terms and conditions).



BS EN ISO9001 - 2015 - Registered Firm Certificate No. GB 1552

JCC Lighting Products Ltd. Innovation Centre, Beeding Close, Southern Cross Trading Estate, Bognor Regis, West Sussex, PO22 9TS, United Kingdom

Technical Support: +44(0)1243 838986 Customer Services: +44(0)1243 838999

V6_Feb_2021_GL