

# Mainline Track Range

Installation instructions for JC14006 Track T Connector



## Warnings & Cautions

- To avoid electric shock, serious injury or property damage, isolate power before installing, removing or servicing the product.
- It is recommended that luminaires are installed by a qualified electrician to ensure the installation complies with the local current wiring regulations.
- Any broken or damaged parts should be replaced as soon as possible.
- JCC will not accept responsibility for claims arising from sub-standard installations; which will void the warranty.
- It may be necessary to upgrade your MCBs to allow for increased inrush current.
- Ensure that the mounting surface is both flat and stable.
- Read instructions and check that you have all of the tools and accessories required to complete the installation correctly. Isolate power supply before starting the installation.
- This product is designed for connection to a 240V~ 50Hz. 16 Amp max.
- This product is suitable for indoor use only.

## INSTALLATION

## ENGLISH

**240V 50Hz 16 Amp max. Class I** ⚡

Available in black and white

### Installation procedure

Please note that both the internal profile of the track sections and the external profile of the connectors are asymmetrical: this feature has been incorporated to ensure the overall polarity of the system, i.e. phase can only be connected to phase and neutral will only connect to neutral (see Fig. 1a.) The JC14006 is a combined track "T" connector and optional power feed accessory.

If you should experience any difficulties connecting Mainline components please check that they are correctly orientated. The phase side of the track can also be identified by the shallow groove running along its outer surface. This groove is a reference for the correct insertion of luminaires into the track during installation (see Fig. 1b).

The JC14006 is supplied in the position as per Fig. 2. The left hand arm which has the earth tag, can be rotated upwards to reverse the direction of the phase (P+) as per Fig. 3.

- Undo the three cover retaining screws and remove it. This will reveal the internal wiring.
- The terminals are marked P for phase and N for neutral. The diagram shows the neutral cable with white insulation.
- The cable input that connects the two sections of the connector also double as a hinge or pivot point. Adjust the two parts relative to one another until they match one of the other options as illustrated.
- If the JC14006 is to be used as a power feed remove the blanking plate and the internal wiring. Then connect Live (Brown) to Phase, Neutral (Blue) to Neutral and Earth (Green/Yellow) to the Earth tag.
- Attach the cover and the JC14006 is ready to insert into the track.
- Once the JC14006 is located into the track sections, ensure the locking screw is tightened.

Fig. 1a

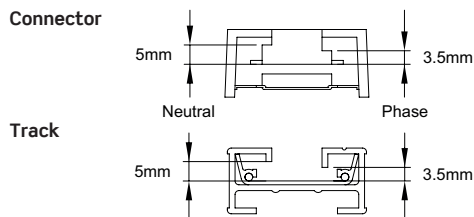


Fig. 1b

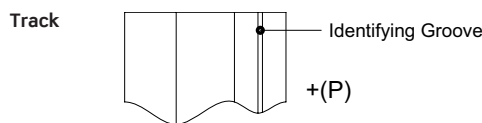


Fig. 2

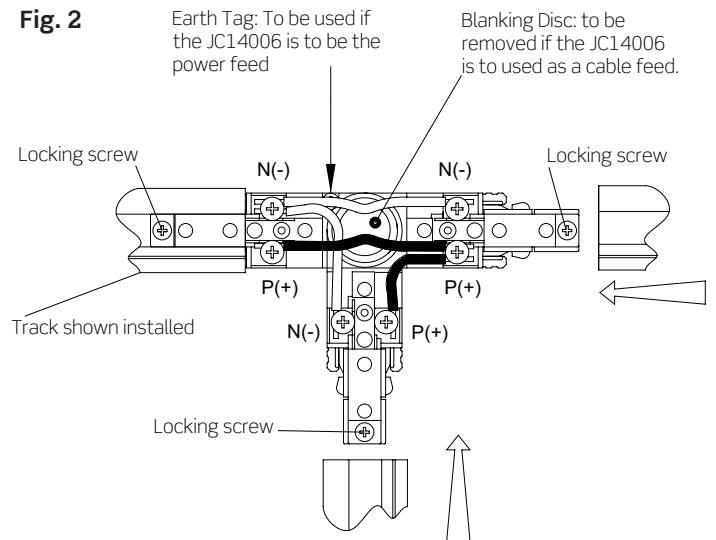
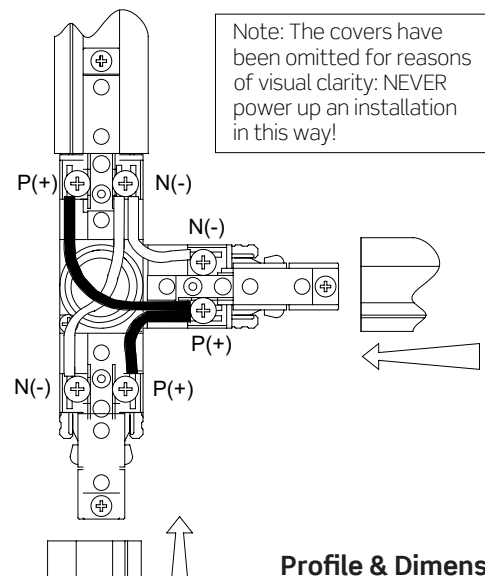
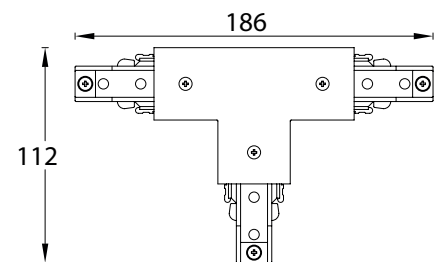


Fig. 3



### Profile & Dimensions



All dimensions in millimetres

## Important warranty information

This product is supported by a 2-year standard warranty. (See website for terms and conditions).



BS EN ISO9001 - 2015 - Registered Firm Certificate No. GB 1552

JCC Lighting Products Ltd. Innovation Centre, Beeding Close, Southern Cross Trading Estate, Bognor Regis, West Sussex, PO22 9TS, United Kingdom

Technical Support: +44(0)1243 838986 Customer Services: +44(0)1243 838999

V4\_Feb\_2021\_GL