

ROBUS®

COMMERCIAL

HORIZON

25W, 40W, IP20



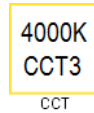
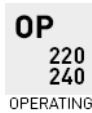
PRODUCT INFORMATION DOCUMENT

FEATURES

- Standard and DALI dimmable versions
- Continuous linear lights – both surface mounted and suspended
- CCT3 selectable version is linkable up to 30pcs - max run 42m
- UGR<19 version is linkable up to 45pcs - max run 63m
- With down light as standard and plug and play up-light LED modules available as accessories
- High efficacy up to 136lm/W
- Complete with wall/ceiling mount bracket
- Available accessories: 1.5m AC silflex cable, 1.5m suspension cable

CONSTRUCTION

- Die-cast aluminium housing
- Polycarbonate diffuser (RHR40CCT3) or PMMA reflector (RHR2540UGR)
- FR-4 laminate PCB



Product Code:	RHR2540UGR-10	RHR2540UGRDD-10	RHR40CCT3-10	RHR40CCT3DD-10
Standard				
DALI				
Comparable to:	1x36W T8	1x36W T8	1x36W T8	1x36W T8
Total Power (W):	26.2	26.5	39.7/38.2/39.4	40.7/39.4/41.0
Power Factor:	0.9	0.97	0.95	0.97
Total Light Output (lm):	3570	3710	3900/4210/3980	3960/4210/4010
Total Emergency Light Output (lm):	NA	NA	NA	NA
Efficacy (lm/cctW):	136	140	98/110/101	97/107/98
Lux at 1m (lux):	2940	3100	1830/1960/1870	1860/1970/1880
Emergency Lux at 1m (lux):	NA	NA	NA	NA
CCT (K):	4000	4000	3000/4000/5700	3000/4000/5700
CRI:	80	80	80	80
IP:	20	20	20	20
Operation Temperature (°C):	-20 ≤ Ta ≤ +40	-20 ≤ Ta ≤ +40	-20 ≤ Ta ≤ +40	-20 ≤ Ta ≤ +40
Inrush Current:	10.2A/0.6us	4A/182us	7.2A/0.5us	4A/182us
RG Value:	0	0	0	0
SDCM:	<6	<6	<6	<6
Pst LM:	NA	NA	NA	NA
SVM:	NA	NA	NA	NA
Energy Class:	C	C	D	D
Rated Life to L70B50 (Hrs):	50000	50000	50000	50000
Dimensions LxWxH (mm):	1410x50x73	1410x50x73	1410x50x73	1410x50x73
Weight (kg):	2.1	2.4	2.1	2.1
Separate Control Gear Information				
Type of Light Source:	LED	LED	LED	LED
Full Load Efficiency (%):	89	NA	90	NA
P _{NET} (W):	NA	NA	NA	NA
Dimensions (mm):	195x30x21	NA	195x30x21	NA

Product is certified to all the relevant standards.

Please contact our technical department for market specific compliances.

PLEASE NOTE: INFORMATION IN THIS DOCUMENT MAY BE SUBJECT TO CHANGE WITHOUT PRIOR NOTICE

IRE: TEL: +353 1 709 9000
 UK: TEL: 0800 973 220
 AUS: TEL: +61 7 3890 5444
 NZ: TEL: +64 03 668 5285

WEB: ROBUS.COM
 WEB: ROBUS.COM
 WEB: ROBUS.COM.AU
 WEB: ROBUSLED.CO.NZ

LED GROUP EUROPE · UK · AUSTRALIA · NEW ZEALAND · ASIA · MIDDLE EAST · AFRICA

Cone Illuminance Diagram

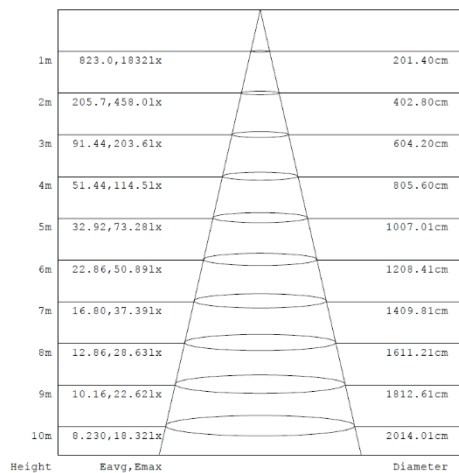
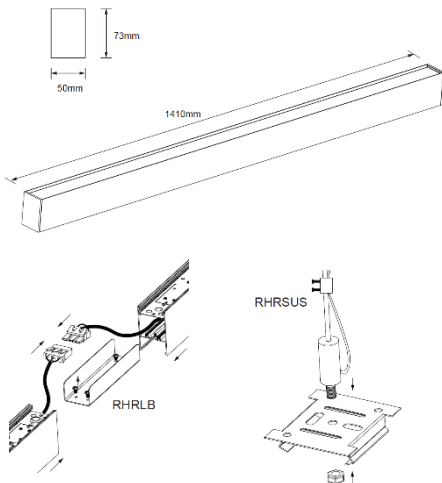


Diagram for RHR40CCT3-10 in 3000K. Other diagrams available on request

Dimension Diagram



Sensor Data

Time Off Delay:	NA
Illuminance Switching Range:	NA
Sensitivity Range (%):	NA
Mounting Height (max):	NA
Detection Zone Diameter (max):	NA

Polar Intensity Diagram

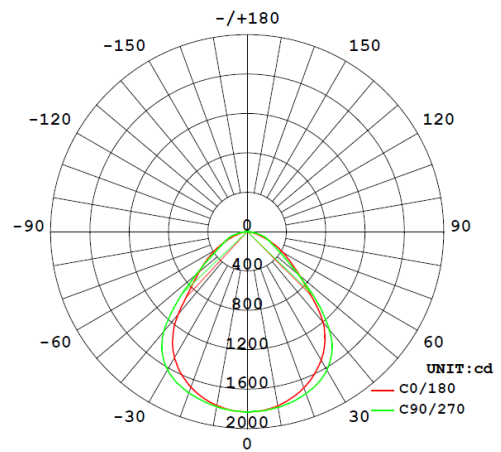


Diagram for RHR40CCT3-10 in 3000K. Other diagrams available on request

Accessories

RHR2540-UP	25W 4000K Up Light Module
RHR40CCT3-UP	40W CCT3 Up Light Module
RHRLB	Linking Bracket and Cover
RHR SUS	1.5m Suspension Kit
RHR S15	1.5m AC Silflex Cable
RHR SDD15	DALI Silflex 1.5m cable accessory