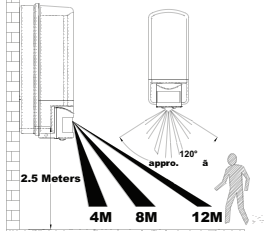
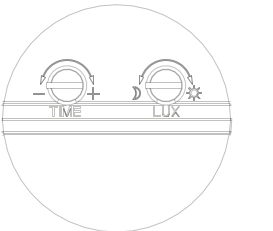


PIR Adjustment

1. The unit must be installed in a vertical position, and fitted 1.8m - 2.5m above the ground.
2. The PIR sensor can be adjusted, allowing the detection distance to be altered to suit the location. The detection angle is set at 120 degrees. The

duration that the lamp stays on can also be altered from (10 ± 5) seconds to (4 ± 1) minutes. Use a small screwdriver to adjust the 'TIME' and 'LUX' screws. When adjusting the sensitivity (detection distance) in daylight it will be necessary to cover the sensor to simulate night time.

Adjustable 1 - 12 metres	Base of product
	
<p>Detection range can be adjusted by turning 'LUX' screw</p>	<p>Duration the bulb stays on is adjustable by turning 'TIME' screw</p>

Fitting/replacing bulb

- When changing a bulb, always switch off at the mains and allow the bulb to cool before handling. Used bulbs should not be disposed of with household waste. Please recycle where facilities exist.

- Do not exceed the wattage stated or use a different shape bulb from that indicated on the fitting.



We recommend cleaning with a soft dry cloth. Do not use solvents or abrasive cleaners as these could damage the finish.

Do not clean the product with a pressure washer.

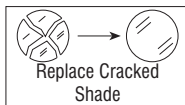
Recycling advice



Waste electrical products should not be disposed of with household waste. Please recycle where facilities exist. Check with your Local Authority or retailer for recycling advice.

Safety information

For your safety, always switch off the supply before changing lightbulbs, or cleaning.



This bulb is protected by a shade. This part must be replaced immediately should the shade become cracked or damaged. This fitting must not be used without the shade in place.

Iss.1 10042013

Instruction leaflet

Motion Wall

48739, 48740



saxby
lighting

Thank you for purchasing this light fitting. Please read the instructions carefully before use to ensure safe and satisfactory operation of this product. Please retain these instructions for future reference.

Warning

This light fitting is Class 1 and must be connected to an Earth circuit

Please read these instructions carefully before commencing any work.

This unit must be fitted by a competent and qualified electrician.

Install in accordance with IEE Wiring regulations and current Building Regulations.

To prevent electrocution switch off at mains supply before installing or maintaining this fitting. Ensure other persons cannot restore the electrical supply without your knowledge. If you are in any doubt, please consult a qualified electrician.

This light fitting should be connected to a circuit with a 30mA RCD fitted.

If replacing an existing fitting, make a careful note of the connections.

This system contains non-replaceable parts and

cannot be serviced. If damage occurs the part should be scrapped.

Waste electrical products should not be disposed of with household waste. Please recycle where facilities exist. Check with your local authority or retailer for recycling advice.

This product is rated at IP44.

This product is not suitable for dimming.

This product is not suitable for location in or near a marine or sea environment.

The entire unit gets hot whilst on for a period of time.

Specification

Voltage:	240V 50Hz a.c.
Lamp:	1 x Max. 60W E27 GLS
IP rating:	44

Layout

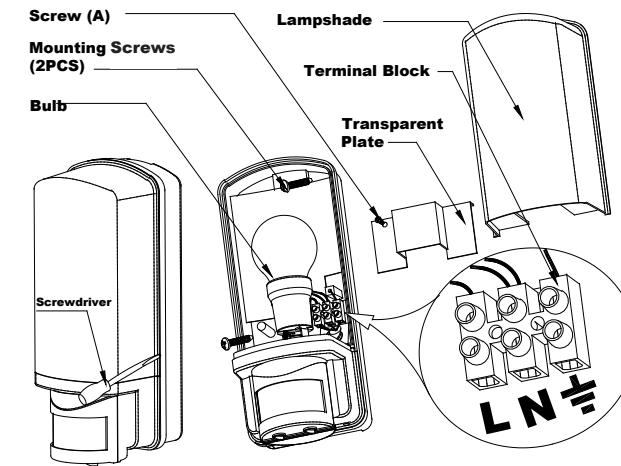
- Plan the desired layout of this fitting carefully, ensuring the cables will reach the distance between the junction box and the light fitting
- Avoid locating any cables in positions that would cause a hazard. Position cables and junction boxes (not supplied) away from areas where they may be at risk from being cut, trapped or damaged
- Cables in walls must be protected using suitable conduit or plastic trunking.
- The mains supply cable must have a minimum cross sectional area of 1.0mm²
- This product has special protection against the ingress of moisture and is IP44 rated.

Installation & Wiring


Existing fittings must be completely removed before installation of a new product. Before removing the existing fitting, **carefully note the position of each set of wires.**

- Remove the lampshade from the product using a screwdriver.
- Unscrew Screw A and remove the Transparent Plate
- Hold the product in position and mark the location of the fixing holes. Lampholder must face upwards.

- Thread the cable through the rubber grommet in the back plate.
- Fix the wall back to the wall using the screws and plugs supplied. Ensure the wall is capable of holding the weight of the product. Take care to avoid damaging any concealed wiring and pipes. The correct fixings should be used for brick or cavity walls.
- Wire as detailed below.



Mounting and Wiring to Terminal

Wiring Colours are as follows:-
L (Live) - Brown
N (Neutral) - Blue
Earth  - Green/Yellow

Check that...

- You have correctly identified the wires.
- The connections are tight.
- No loose strands have been left out of the connection block.

Commissioning

- Once the bulb is fitted, reattach the transparent plate and lampshade.
- Replace fuse or circuit breaker and switch on. Your light is now ready for use.