

Luceco, the global lighting brand from Luceco Ltd, is a £120m manufacturing business supplying high efficiency, energy saving LED luminaires to the trade, retail and specification markets.

Our reputation is based on the reliability and functionality of our innovative products. By offering market leading warranties, technical support, dedicated customer service and marketing backup, we aim to make it easy for customers to specify and install sustainable lighting.

The teams behind Luceco have over 100 years combined lighting industry experience gained over disciplines such as product design, development, testing and product management. This enviable expertise coupled with the group resources mean that Luceco have the knowledge and ability to be at the forefront of LED lighting technology.

Luceco believe that we have a responsibility to care for and protect the environment in which we operate. We are fully committed to improving environmental performance across all of our manufacturing and other business activities, continually looking for new methods and materials to provide environmentally friendly solutions.

Our international offices provide sales and support to the UK, Europe, Middle East, USA, Asia-Pacific and Africa.





CARBON TRUST

The Carbon Trust is a world-leading organisation helping businesses, governments and the public sector to accelerate the move to a sustainable, low carbon economy through carbon reduction, energy-saving strategies and commercialising low carbon technologies.

As a Carbon Trust Accredited Supplier, Luceco joins a market-leading scheme for high quality energy efficient equipment and renewable technology suppliers. It provides independent validation and recognition of a supplier's skills and services - a much needed and trusted quality standard in a crowded and fast growing market place. Accredited Suppliers must meet or exceed criteria set by the Carbon Trust, designed to examine their capability to deliver thoughtful, well-designed, energy efficient and renewable energy systems.

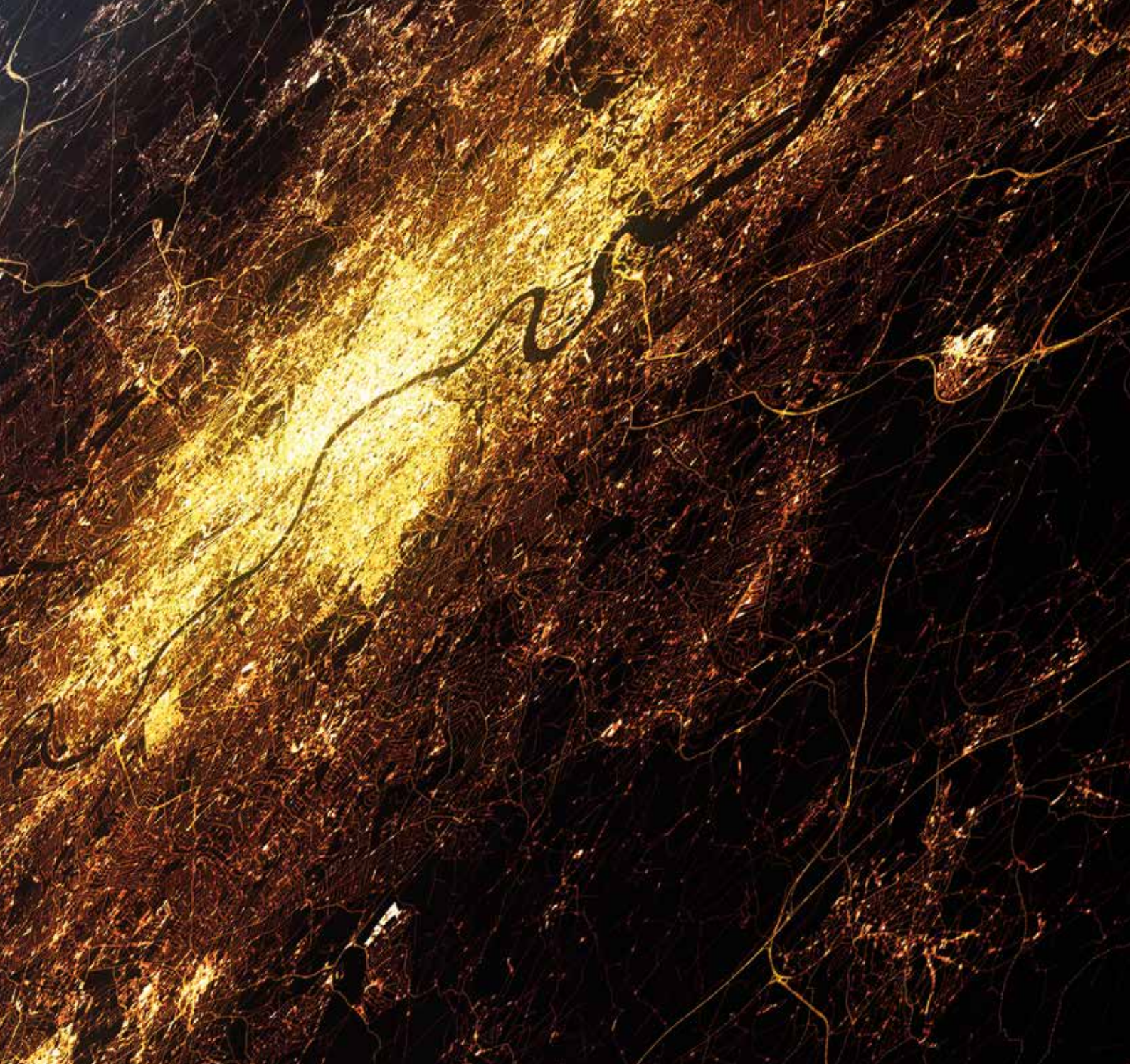


ENHANCED CAPITAL ALLOWANCE

The Enhanced Capital Allowance (ECA) scheme is a key part of the Government's programme to manage climate change. It provides businesses with enhanced tax relief for investments in equipment that meets published energy-saving criteria. Luceco can offer a wide number of products that meet the eligibility criteria. Using ECA compliant luminaires can drastically improve ROI figures.

www.luceco.com/uk/tax-benefits





LIGHTING INDUSTRY ASSOCIATION

The Lighting Industry Association is the largest lighting industry trade association in Europe. Their mission is to strengthen the industry and promote the benefits of good quality lighting by representing all aspects of UK, EU and international legislation and standards at the highest level whilst protecting the interests of both the public and its members.

www.thelia.org.uk



ENEC TESTING

As part of our product development and quality processes, Luceco luminaires have been tested to ENEC standards.

This stringent process involves independent third party testing of the luminaires, conducted by an European test house organisation and also the inspection and audit of our manufacturing facility.

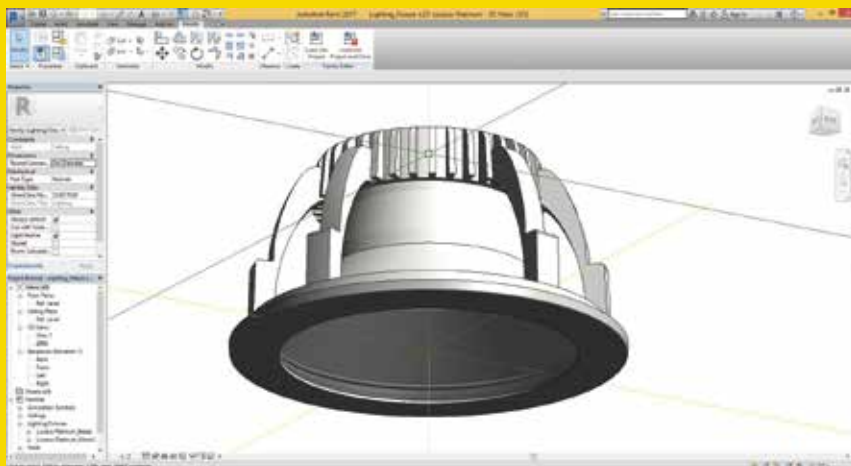
ENEC approval provides full confidence in Luceco products meeting all the relevant safety standards from when they are introduced and also ongoing as the products and audits are re-examined on a bi-annual basis.



BIM

Luceco has BIM Files created in Revit, covering their range of luminaires. This enables our clients to download the information they require to aid the design process and create Building Models.

Building Information Modelling (BIM) is a collaborative way of working intended to increase the speed of the construction industry, using digital technologies. BIM uses product data and a three dimensional computer model that can be used for effective management of information throughout a project lifecycle.



LIGHTING DESIGN & TECHNICAL SUPPORT

Luceco has a team of specialist engineers with combined lighting industry experience of over 100 years. Our highly experienced team are able to offer informed advice and knowledge regarding the luminaire range and applications.

Also, we are able to offer a complimentary lighting design service from our LIA qualified engineers. This service can provide lighting solutions for all projects, ensuring compliance with the latest standards and regulations.

Photometric data is also available for clients who may wish to perform their own designs.







WARRANTY*

1 YEAR ON SITE WARRANTY (UK ONLY)

Should a product that has been correctly specified, professionally installed by a registered trades person and operated in accordance with the specified parameters, fail during its first year of installation, Luceco will arrange for the product to be repaired or replaced at our discretion.

3 YEAR STANDARD WARRANTY

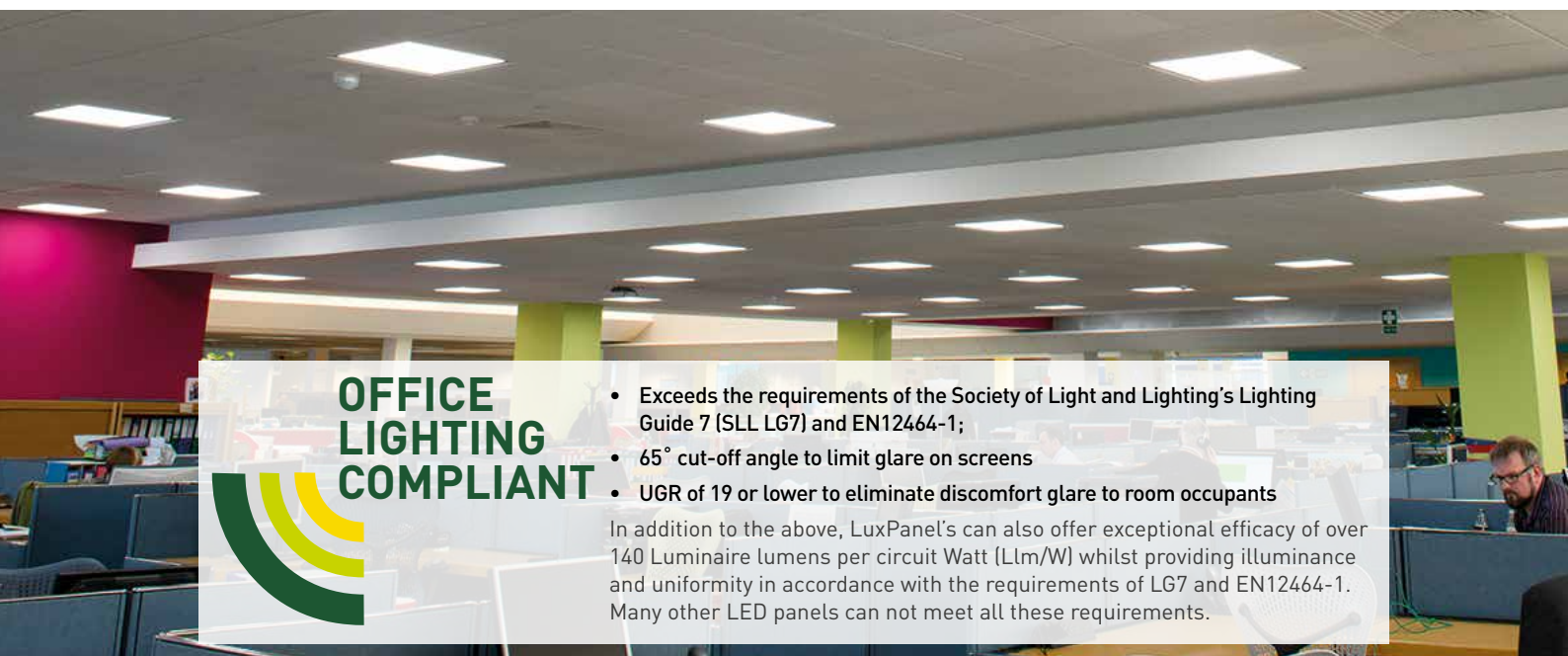
Luceco offers a standard 3 year warranty for non registered products. If a product was to fail during this period, Luceco will arrange for the product to be repaired or replaced with an equal or substitute product at our discretion.

5 & 7 YEAR EXTENDED WARRANTIES

Luceco offers 5 & 7 year** extended warranties against selected products where the installation is registered on www.luceco.com. Installations must be carried out by a approved contractor and in accordance with the terms and conditions detailed on the Luceco website.

*1 year on site warranty, 3 year warranty and 5 & 7 year extended warranties only available in the UK. Rest of the world may vary, please ask your local distributor for more information.

For products with emergency control gear, the extended warranty is limited to **4 years for the emergency components, due to the rated service life of the batteries.



OFFICE LIGHTING COMPLIANT



- Exceeds the requirements of the Society of Light and Lighting's Lighting Guide 7 (SLL LG7) and EN12464-1;
- 65° cut-off angle to limit glare on screens
- UGR of 19 or lower to eliminate discomfort glare to room occupants

In addition to the above, LuxPanel's can also offer exceptional efficacy of over 140 Luminaire lumens per circuit Watt (LLm/W) whilst providing illuminance and uniformity in accordance with the requirements of LG7 and EN12464-1. Many other LED panels can not meet all these requirements.