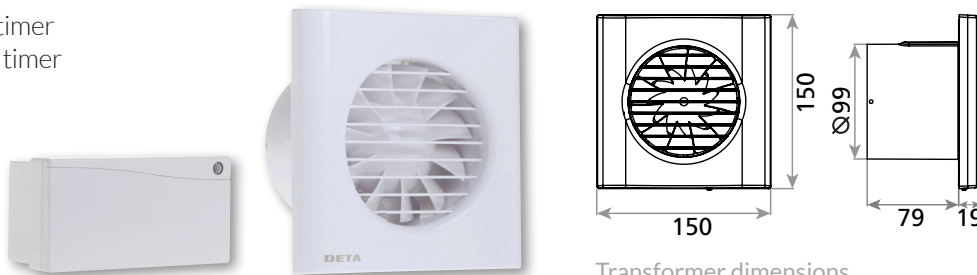


Low Voltage Axial Fans

- Extraction rate 24 litres/second or 85m³ /hour (see performance data table on Page 77)
- Specific fan power 0.34 W/l/s
- Noise Level 28dB @ 3m
- Overrun time delay, user settable between 2 and 30 mins
- Humidistat use setable between 60-90% RH
- 3-year guarantee

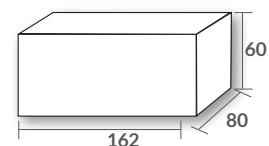


- 4616 12V low voltage fan and timer
- 4617 12V low voltage fan with timer and humidistat



4616 / 4617

Transformer dimensions



Shower Fans

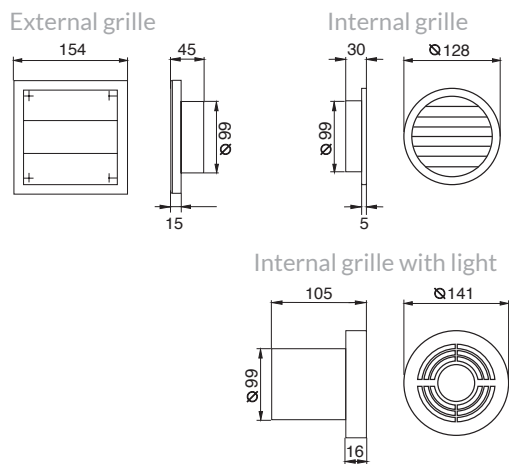
- Extraction rate up to 30 litres/second or 107m³ /hour (see performance data table on Page 77)
- Specific fan power 0.47 W/l/s
- Noise Level 33dB @ 3m
- Over-run time delay user settable between 2 and 30 minutes (timer versions)
- 3m (extended) flexible ducting
- Internal/external fixed louvres grilles
- In compliance with BS EN 60335-2-80
- 3-year guarantee



- 4640 Shower fan kit and timer
- 4641 Shower fan kit with timer and light - white and chrome cover supplied



4641



4640

*Special order product, minimum order quantity and lead time applies