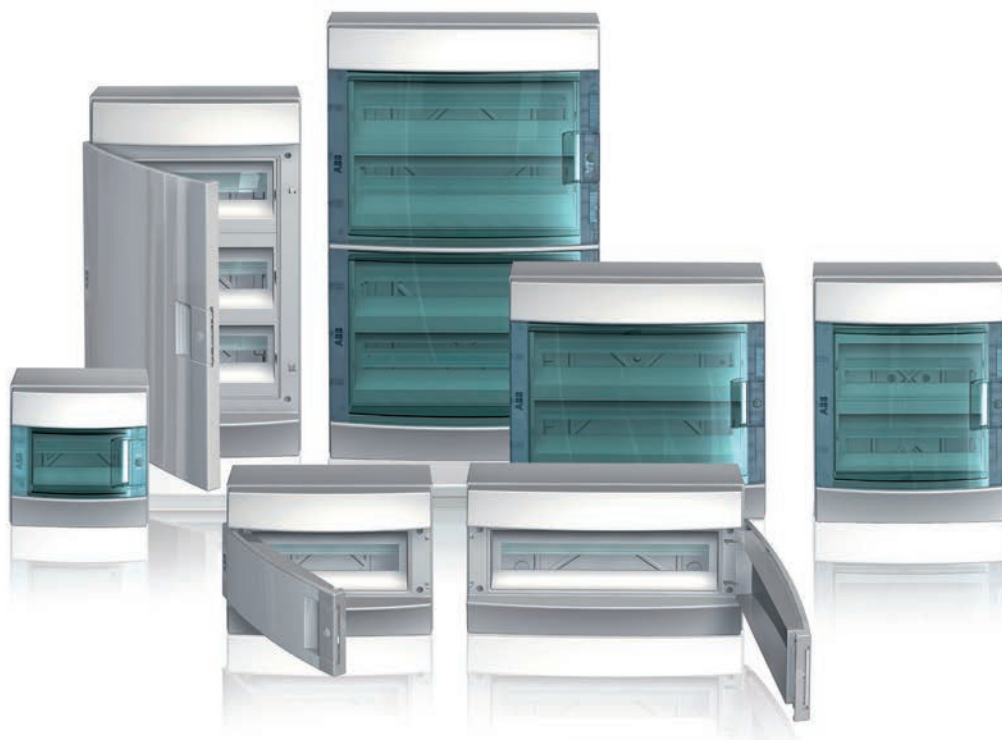


Mistral 65

Double insulated enclosures

The new System pro E comfort MISTRAL65 series gives you the freedom and flexibility to install almost any kind of electrical distribution system in industrial, commercial or residential environments. These IP65-rated units have been designed from scratch to enhance the unique features you expect from ABB in terms of versatility, efficiency and safety. Everything about the new System pro E comfort MISTRAL65 series has been designed to make installation easier, allowing you to set up high quality distribution and control that look great anywhere.



Invisible cable entry and exit

As well as side knockouts for cable entry and exit, units can be supplied with cable entries and exits at both the top and the bottom.



More internal space

Internal spaces have been created to make cabling even easier, with cable clips and holes for fastening wires to the frame with simple cable ties.



Easy installation of extra modules

Additional modules can be installed by removing two pretrimmed elements. This offers an easy and tidy solution when there are unforeseen installation requirements.

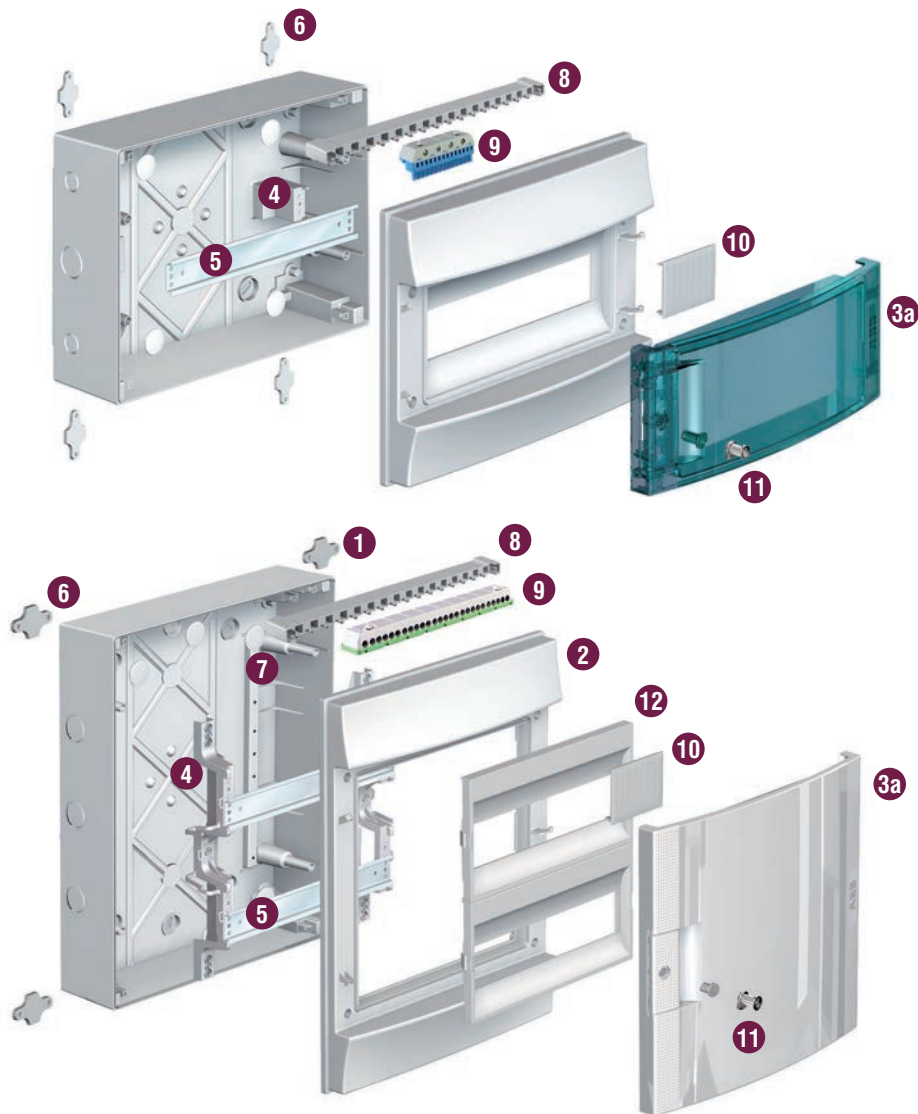


New generation terminals

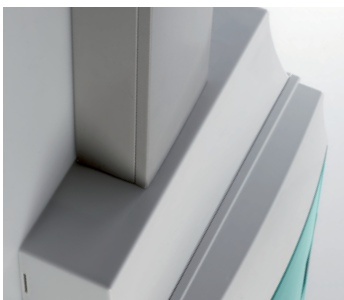
The new System pro E comfort MISTRAL® range of consumer units is amended with a wide, completely new ABB terminal blocks. To different versions offer screw and spring fast coupling for easy and effective cabling up to 63A or 100A.

Mistral 65

Double insulated enclosures



- | | |
|--|-------------------------------|
| 1. Box for wall mounting | 5. DIN rail |
| 2. Reversible front panel | 6. Wall brackets |
| 3. a) Transparent door
b) Opaque door RAL7035 | 7. Plugs, protection class II |
| 4. Fixed support for DIN rail | 8. Jumper for terminals |
| | 9. Quick coupling terminals |



Protected trunking entry

The new polycarbonate accessory for trunking entry can be positioned at the top or bottom of the consumer unit, connecting and protecting the conductor bundles. A series of internal knockouts allows it to house any type of trunking.



Aesthetically clean installation

Interior slots allow the unit to be fixed to the wall at points that cannot be seen from the outside, making for an aesthetically clean installation. Special snap-in closure plugs guarantee class II protection (double insulation).



Optional door lock

The standard door with ergonomic handle, key lock on request. This ensures only authorised people have access and prevents tampering or incorrect operation.

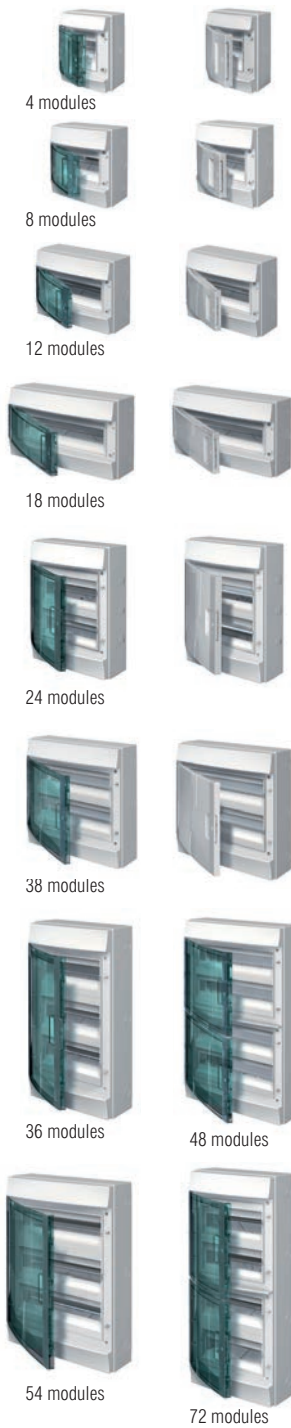


Variable distance between DIN rails

To create space at the top or bottom of the consumer unit, the central distance between the DIN rails can be modified from the standard 150 mm to 125 mm. The front panel can be removed, reversed and reinstalled with a simple click.

Mistral 65

Double insulated enclosures



Transparent door

Opaque door



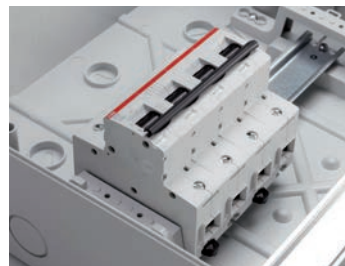
Enclosure with opaque door	Rows	Dimensions mm			Product Hierarchy 3100007 Order Code
		Width	Height	Depth	
650 Opaque door 4M	1	152	202	117	1SL1100A00
650 Opaque door 8M	1	232	250	154	1SL1101A00
650 Opaque door 12M	1	320	250	155	1SL1102A00
650 Opaque door 18M	1	430	250	155	1SL1103A00
650 Opaque door 24M	2	320	435	155	1SL1104A00
650 Opaque door 36M 2F	2	430	435	155	1SL1105A00
650 Opaque door 36M 3F	3	320	435	155	1SL1106A00
650 Opaque door 48M	4	320	735	155	1SL1107A00
650 Opaque door 54M	5	430	600	155	1SL1108A00
650 Opaque door 72M	6	430	735	155	1SL1109A00

Enclosure with transparent door	Rows	Dimensions mm			Product Hierarchy 3100007 Order Code
		Width	Height	Depth	
650 Transparent door 4M	1	152	202	117	1SL1200A00
650 Transparent door 8M	1	232	250	154	1SL1201A00
650 Transparent door 12M	1	320	250	155	1SL1202A00
650 Transparent door 18M	1	430	250	155	1SL1203A00
650 Transparent door 24M	2	320	435	155	1SL1204A00
650 Transparent door 36M 2F	2	430	435	155	1SL1205A00
650 Transparent door 36M 3F	3	320	435	155	1SL1206A00
650 Transparent door 48M	4	320	735	155	1SL1207A00
650 Transparent door 54M	5	430	600	155	1SL1208A00
650 Transparent door 72M	6	430	735	155	1SL1209A00
750 Transparent door 4M	1	152	202	117	1SL1210A00
750 Transparent door 8M	1	232	250	154	1SL1211A00
750 Transparent door 12M	1	320	250	155	1SL1212A00
750 Transparent door 18M	1	430	250	155	1SL1213A00
750 Transparent door 24M	2	320	435	155	1SL1214A00
750 Transparent door 36M 2F	2	430	435	155	1SL1215A00
750 Transparent door 36M 3F	3	320	600	155	1SL1216A00
750 Transparent door 48M	4	430	600	155	1SL1217A00
750 Transparent door 54M	5	320	735	155	1SL1218A00
750 Transparent door 72M	4	430	735	155	1SL1219A00



Two DIN positions

The frame has two DIN rail positions so accessories of different depths, like MCCBs, can be installed in perfect alignment.



Easy installation of non-standard devices

The flexibility of the frame allows easy installation of devices with above standard depth like high performance MCCBs.



Compatible with standard modular devices

The first depth allows the installation of standard products. These include most modular devices currently on the market.

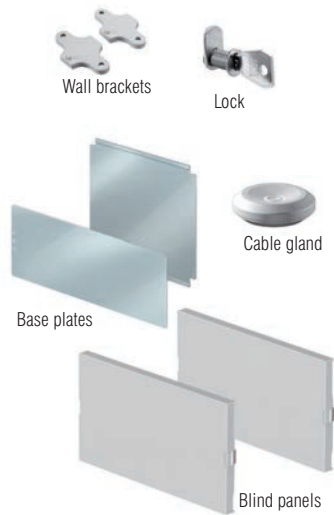


Non-modular equipment

Accessories like blind panels and base plates enable the installation of other types of devices, in addition to modular DIN products, on the front of the panel. These include control buttons and indicator lights.

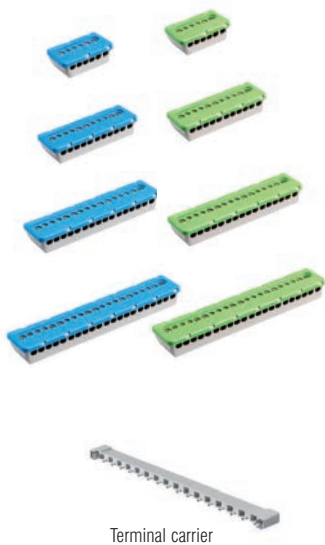
Mistral 65

Double insulated enclosures



Accessories

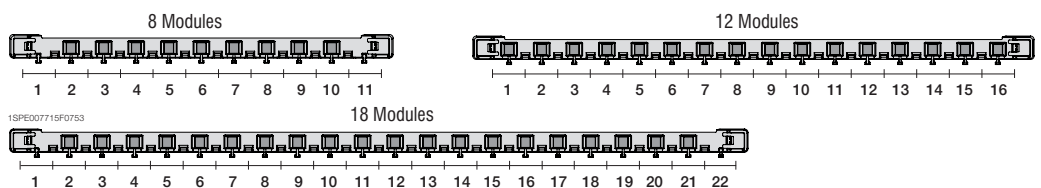
	Product Hierarchy 310007	Order Code
Wall fixing brackets (4 pcs) MISTRAL65		1SL1927A00
Lock with key MISTRAL65		1SL1931A00
Cable gland Ø 16		1SL1935A00
Cable gland Ø 20		1SL1936A00
Cable gland Ø 25		1SL1937A00
Cable gland Ø 32		1SL1938A00
Metal base plate 12M Mistral65		1SL1920A00
Metal base plate 2x12M Mistral65		1SL1921A00
Metal base plate 18M Mistral65		1SL1922A00
Metal base plate 2x18M Mistral65		1SL1923A00
Central blind panel 12M Mistral65		1SL1945A00
Blind panel 12M Mistral65		1SL1946A00
Central blind panel 18M Mistral65		1SL1947A00
Blind panel 18M Mistral65		1SL1948A00



Terminal blocks

	Product Hierarchy 310007	Order Code
Terminal block N 3*16mm ² +3*6mm ²	A	1SPE007715F0731
Terminal block N 5*16mm ² +6*6mm ²	B	1SPE007715F0732
Terminal block N 7*16mm ² +9*6mm ²	C	1SPE007715F0733
Terminal block N 9*16mm ² +12*6mm ²	D	1SPE007715F0734
Terminal block N 11*16mm ² +15*6mm ²	E	1SPE007715F0735
Terminal block PE 3*16mm ² +3*6mm ²	A	1SPE007715F0741
Terminal block PE 5*16mm ² +6*6mm ²	B	1SPE007715F0742
Terminal block PE 7*16mm ² +9*6mm ²	C	1SPE007715F0743
Terminal block PE 9*16mm ² +12*6mm ²	D	1SPE007715F0744
Terminal block PE 11*16mm ² +15*6mm ²	E	1SPE007715F0745
Terminal carrier, 8 modules		1SPE007715F0751
Terminal carrier, 12 modules		1SPE007715F0752
Terminal carrier, 18 modules		1SPE007715F0753

Terminal Carrier



Terminal Blocks

