

MS165 manual motor starters

10 to 80 A – with thermal and electromagnetic protection



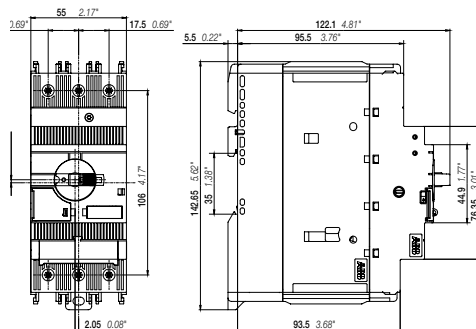
MS165-65

2CDC241007V0017

MS165 is a compact and powerful range for motor protection up to 45 kW (400 V) / 80 A in width of 55 mm. This type has also a clear and reliable indication of fault in a separate window in the event of short-circuit tripping. Further features are the built-in disconnect function, temperature compensation, trip-free mechanism and a rotary handle with a clear switch position indication. The manual motor starter is suitable for three- and single-phase applications. The handle is lockable to protect against unauthorized changes. Auxiliary contacts, signaling contacts, undervoltage releases, shunt trips, power in-feed blocks are available as accessory. These are suitable throughout the MS116/MS132/MS165-range.

Rated operational power 400 V	Setting range	Short-circuit breaking capacity Ics at 400 V AC	Rated instantaneous short-circuit current setting Ii	Type	Order code	Weight (1 pce)
AC-3 kW	A	kA	A			kg
7.5	10 ... 16	100	240	MS165-16	1SAM451000R1011	0.950
7.5	14 ... 20	100	300	MS165-20	1SAM451000R1012	0.950
11	18 ... 25	100	375	MS165-25	1SAM451000R1013	0.960
15	23 ... 32	100	480	MS165-32	1SAM451000R1014	0.970
22	30 ... 42	50	630	MS165-42	1SAM451000R1015	0.970
22	40 ... 54	30	810	MS165-54	1SAM451000R1016	0.970
30	52 ... 65	30	975	MS165-65	1SAM451000R1017	0.980
37	62 ... 73	30	1022	MS165-73	1SAM451000R1018	1.000
45	70 ... 80	30	1120	MS165-80	1SAM451000R1019	1.000

Note: Manual motor starters should always be selected so that the actual motor current is within the setting range.



MS165

Main dimensions mm, inches

2CDC131062C0201