

## Rhine

### 30W Compact LED Floodlight



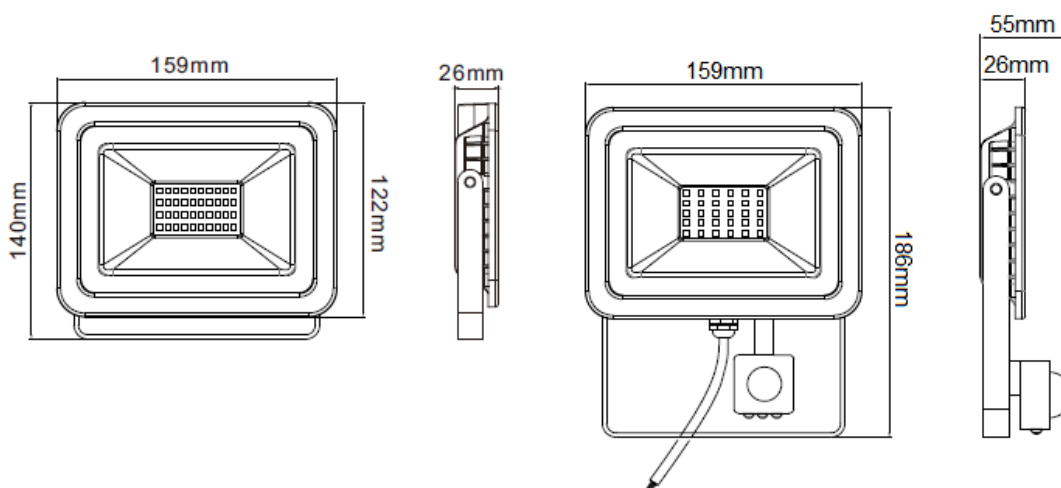
### Overview

The Kosnic Rhine LED Floodlights make ideal replacements for energy-hungry halogen lighting. Suitable for outdoor use, the range offers affordable products with high lumen efficiency and a long life.

### Features

- Class I, IP65
- Manual sensor override
- High lumen output
- 30,000h rated lifetime
- Instant start
- Negligible UV output
- Elegant design

### Dimensions



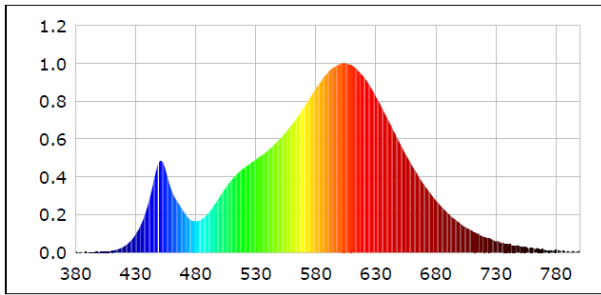
### Specifications

	Standard	PIR Sensor
Nominal Power	30 W	30 W
Voltage	220-240 Vac 50-60 Hz	220-240 Vac 50-60 Hz
Current	134 mA	137 mA
Protection	Class I, IP65	Class I, IP65
Connection	1 m of H05RN-F 3 x 0.75 mm <sup>2</sup>	1 m of H05RN-F 3 x 0.75 mm <sup>2</sup>
Luminous Flux	2150 lm (3000K) 2250 lm (4000K/6500K)	2150 lm (3000K) 2250 lm (4000K/6500K)
CCT	3000K Warm White 4000K Cool White 6500K Day Light	3000K Warm White 4000K Cool White 6500K Day Light
Nominal Lifetime	30000 h	30000 h
Beam Angle	110 °	110 °
Dimmable	No	No
Switching Cycles	25000	25000
Warm-up time to 60% Φ	Instant full light	Instant full light
Suitable for accent lighting	No	No
Width	159 mm	159 mm
Height	140 mm	186 mm
Depth	26 mm	55 mm
Mounting Surface to Face	109 mm	136 mm
Mercury	0 mg	0 mg
Rated Power	30.0 W	30.0 W
Rated Luminous Flux	2150 lm (3000K) 2250 lm (4000K/6500K)	2150 lm (3000K) 2250 lm (4000K/6500K)
Rated Lifetime	30000 h	30000 h
Power Factor	0.97	0.95
LMF at Nominal Lifetime	0.70	0.70
SDCM of CCT	<6	<6
CRI	82	82
Start Time	0.05 s	0.05 s
Ambient Temperature	-20 to 40 °C	-20 to 40 °C
PIR Sensor	<b>No</b>	<b>Yes</b>
Sensor Type		Passive Infra-Red
Detection Zone		2 m to 8 m in 120 °
Hold-on Time		10 sec to 7 min
Ambient Light Threshold		10 to 2000 lux
Standby Power		≤0.9 W

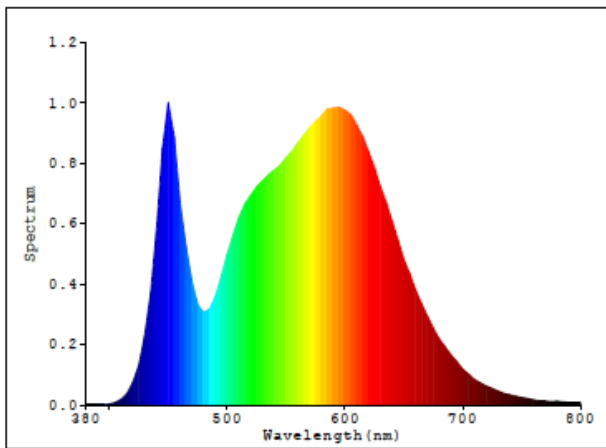
### Order Codes

	Standard	PIR Sensor
3000K	KFLDHS30Q465-W30-BLK	KFLDHS30Q465/S-W30-BLK
4000K	KFLDHS30Q465-W40-BLK	KFLDHS30Q465/S-W40-BLK
6500K	KFLDHS30Q465-W65-BLK	KFLDHS30Q465/S-W65-BLK

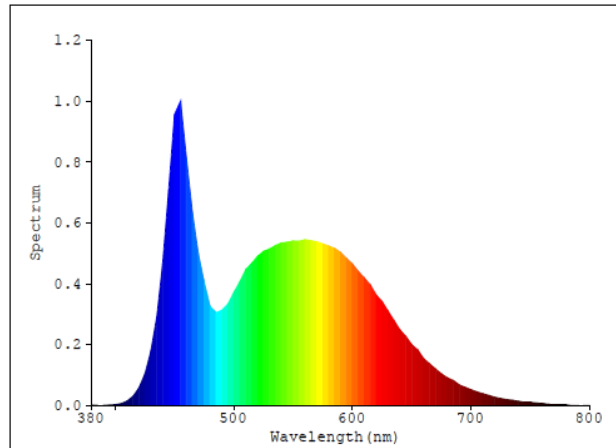
## Photometric Information



3000K



4000K



6500K