

Rhine

10W Compact LED Floodlight



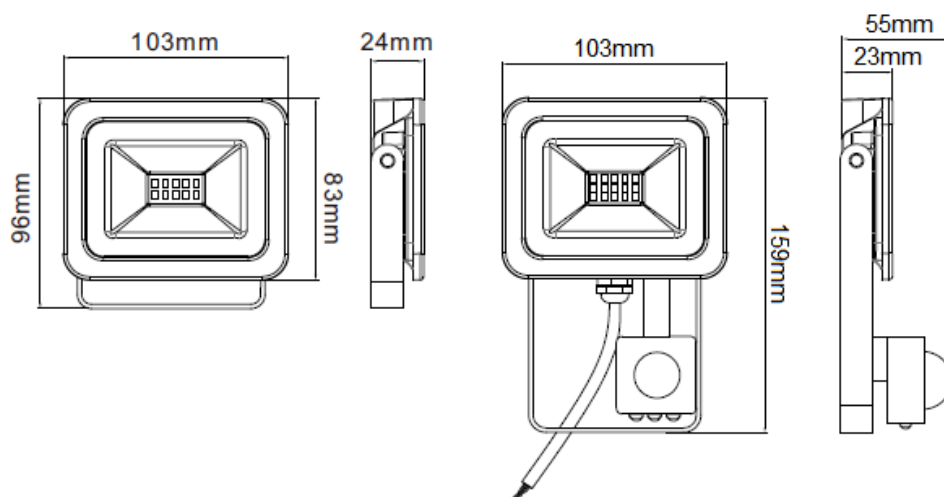
Overview

The Kosnic Rhine LED Floodlights make ideal replacements for energy-hungry halogen lighting. Suitable for outdoor use, the range offers affordable products with high lumen efficiency and a long life.

Features

- Class I, IP65
- Manual sensor override
- High lumen output
- 30,000h rated lifetime
- Instant start
- Negligible UV output
- Elegant design

Dimensions



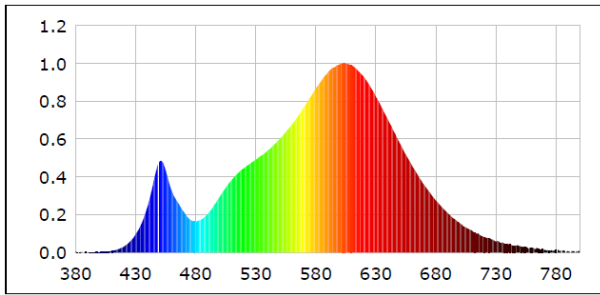
Specifications

	Standard	PIR Sensor
Nominal Power	10 W	10 W
Voltage	220-240 Vac 50-60 Hz	220-240 Vac 50-60 Hz
Current	46 mA	48 mA
Protection	Class I, IP65	Class I, IP65
Connection	1 m of H05RN-F 3 x 0.75 mm ²	1 m of H05RN-F 3 x 0.75 mm ²
Luminous Flux	650 lm (3000K) 750 lm (4000K/6500K)	650 lm (3000K) 750 lm (4000K/6500K)
CCT	3000K Warm White 4000K Cool White 6500K Day Light	3000K Warm White 4000K Cool White 6500K Day Light
Nominal Lifetime	30000 h	30000 h
Beam Angle	110 °	110 °
Dimmable	No	No
Switching Cycles	25000	25000
Warm-up time to 60% Φ	Instant full light	Instant full light
Suitable for accent lighting	No	No
Width	103 mm	103 mm
Height	96 mm	159 mm
Depth	24 mm	55 mm
Mounting Surface to Face	87 mm	118 mm
Mercury	0 mg	0 mg
Rated Power	10.0 W	10.0 W
Rated Luminous Flux	650 lm (3000K) 750 lm (4000K/6500K)	650 lm (3000K) 750 lm (4000K/6500K)
Rated Lifetime	30000 h	30000 h
Power Factor	0.95	0.90
LMF at Nominal Lifetime	0.70	0.70
SDCM of CCT	<6	<6
CRI	82	82
Start Time	0.05 s	0.05 s
Ambient Temperature	-20 to 40 °C	-20 to 40 °C
PIR Sensor	No	Yes
Sensor Type		Passive Infra-Red
Detection Zone		2 m to 8 m in 120 °
Hold-on Time		10 sec to 7 min
Ambient Light Threshold		10 to 2000 lux
Standby Power		≤0.9 W

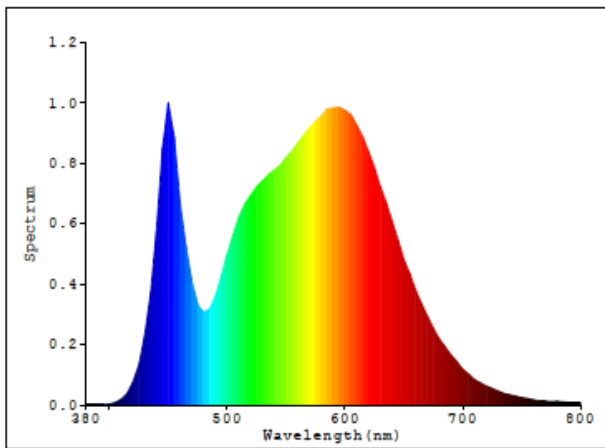
Order Codes

	Standard	PIR Sensor
3000K	KFLDHS10Q465-W30-BLK	KFLDHS10Q465/S-W30-BLK
4000K	KFLDHS10Q465-W40-BLK	KFLDHS10Q465/S-W40-BLK
6500K	KFLDHS10Q465-W65-BLK	KFLDHS10Q465/S-W65-BLK

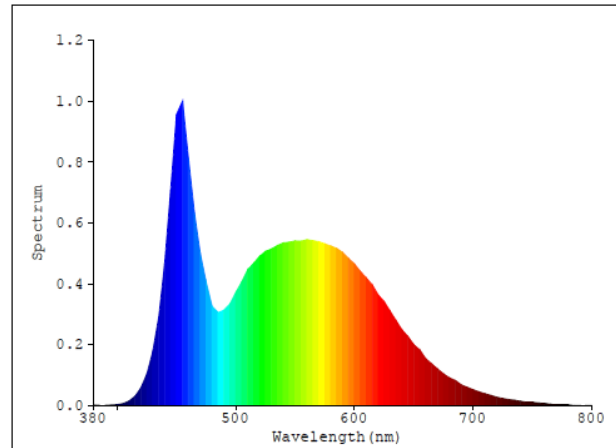
Photometric Information



3000K



4000K



6500K