

INCEPTOR® ACE

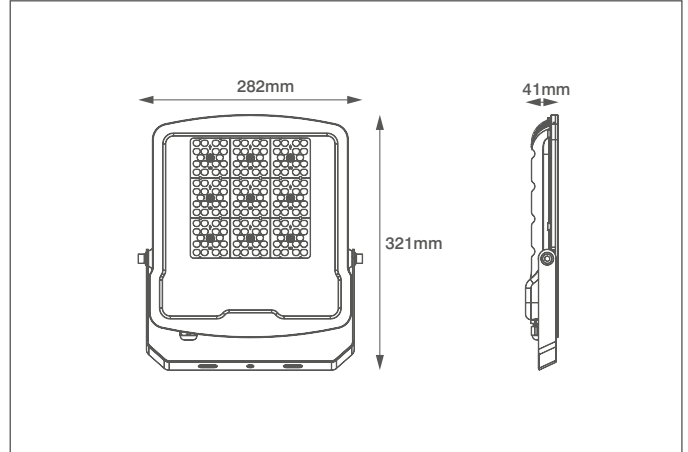
Technical Specification

Product Code: OV102100BKCW

Luckinslive 433365244



Description: 100W LED Asymmetric Floodlight IP65 4000K Black



General Information

Dimensions (mm)	282 (W) x 321 (H) x 41 (D)
Materials	Body: Powder Coated Aluminium; Diffuser: Glass
Colour	Black (RAL9004)
Product Weight (Kg)	2.13
Ingress Protection	IP65
Impact Rating (IK)	06
Warranty (Years)	5
On Site Warranty	1 Year Unregistered, 2 Year Registered (https://oviauk.com/on_site_warranty)

Supply & Power Information

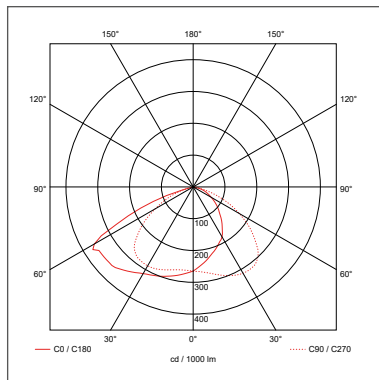
Continuous Operating Voltage (AC) (Hz)	220-240 (50/60)
Safety Class	I
Circuit Wattage (W)	100
LED Wattage (W)	100
Input Current (mA)	560
Inrush Current/Time	30A (500µS)
Power Factor	>0.9
Operating Temperature (°C)	-20 to +40
Critical Temperature (°C)	+50
Input Mains Cable	3 x 1mm ² H05-RNF (2 metre)

Luminaire Output

Colour Temperature (K)	4000
Colour Render Index (CRI)	>80
Typical Luminous Flux (lm)	12000
Efficacy (lm/W)	120
Beam Angle (°)	60 x 120
LED Lifetime (L70) (Hours)	50000

Dimming Information

Dimmable	No
----------	----



OVIA Limited, Scolmore House, Mariner, Lichfield Road Industrial Estate,
 Tamworth, Staffordshire, B79 7UL United Kingdom
 T: +44 (0)1827 300640
 E: sales@oviaUK.com | oviaUK.com



Catalogue



Section



DoC



Installation

