

# PATHFINDER

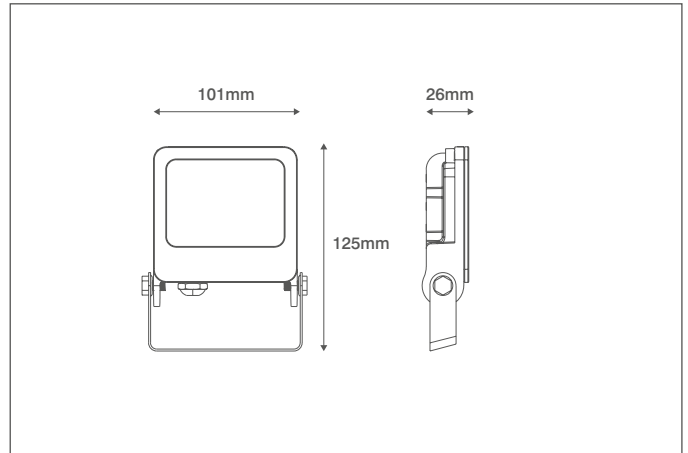
## Technical Specification

Product Code: OV10110WHCW

Luckinslive 407974467



Description: 10W LED Floodlight IP65 CW White



### General Information

|                     |  |
|---------------------|--|
| Dimensions (mm)     | 101 (W) x 26 (D) x 125 (H)                               |
| Materials           | Body: Powder Coated Aluminium; Diffuser: Prismatic Glass |
| Colour              | White (RAL9003)  |
| Product Weight (Kg) | 0.25   |
| Ingress Protection  | IP65   |
| Impact Rating (IK)  | 06   |
| Warranty (Years)    | 3  |

### Supply & Power Information

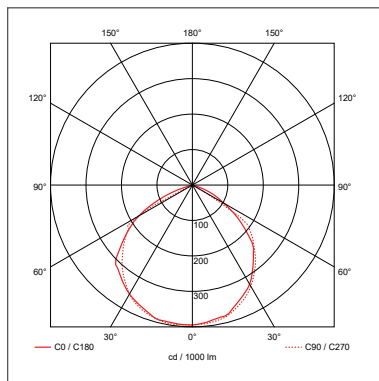
|  |  |
|--|--|
| Continuous Operating Voltage (AC) (Hz) | 220-240 (50/60)                        |
| Safety Class                           | I                                      |
| Circuit Wattage (W)                    | 10                                     |
| Input Current (mA)                     | 45                                     |
| Inrush Current/Time                    | 0.036A (84µs)                          |
| Power Factor                           | 0.9                                    |
| Operating Temperature (°C)             | -20 to +45                             |
| Critical Temperature (°C)              | +70                                    |
| Input Mains Cable                      | 3 x 1mm <sup>2</sup> H05RN-F (1 Metre) |

### Luminaire Output

|                            |       |
|----------------------------|-------|
| Colour Temperature (K)     | 4000  |
| Colour Render Index (CRI)  | >80   |
| Typical Luminous Flux (lm) | 800   |
| Efficacy (lm/W)            | 80    |
| Beam Angle (°)             | 110   |
| LED Lifetime (L70) (Hours) | 30000 |

### Dimming Information

|          |    |
|----------|----|
| Dimmable | No |
|----------|----|



OVIA Limited, Scolmore House, Mariner, Lichfield Road Industrial Estate,  
 Tamworth, Staffordshire, B79 7UL United Kingdom  
 T: +44 (0)1827 300640  
 E: sales@oviaUK.com | W: oviaUK.com



Catalogue



Section



DoC



Installation

