

PATHFINDER

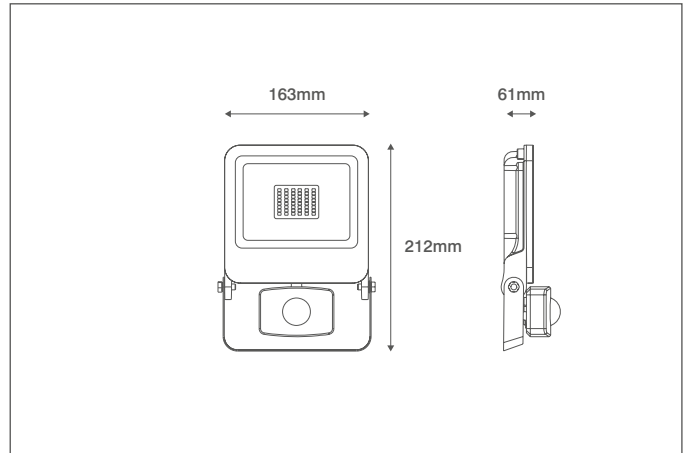
Technical Specification

Product Code: OV10130WHCWPIR

Luckinslive 407974933



Description: 30W LED Floodlight With PIR IP65 CW White



General Information

Dimensions (mm)	163 (W) x 61 (D) x 212 (H)
Materials	Body: Powder Coated Aluminium; Diffuser: Prismatic Glass
Colour	White (RAL9003)
Product Weight (Kg)	0.64
Ingress Protection	IP65
Impact Rating (IK)	06
Warranty (Years)	3

Supply & Power Information

Continuous Operating Voltage (AC) (Hz)	220-240 (50/60)
Safety Class	I
Circuit Wattage (W)	30
Input Current (mA)	135
Inrush Current/Time	0.326A (84µs)
Power Factor	0.9
Operating Temperature (°C)	-10 to +45
Critical Temperature (°C)	+70
Input Mains Cable	3 x 1mm ² H05RN-F (1 Metre)

Luminaire Output

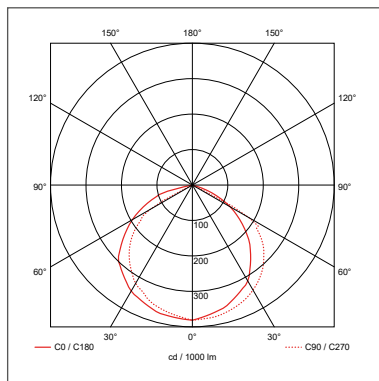
Colour Temperature (K)	4000
Colour Render Index (CRI)	>80
Typical Luminous Flux (lm)	2400
Efficacy (lm/W)	80
Beam Angle (°)	110
LED Lifetime (L70) (Hours)	30000

Sensor Information

Detection Distance (m)	10
Detection Angle (°)	180
Light Level Settings (Lux)	2 to 2000
Time Delay Settings	10 Secs to 10 Mins
Light Level Settings (Lux)	2 2000

Dimming Information

Dimmable	No
----------	----



OVIA Limited, Scolmore House, Mariner, Lichfield Road Industrial Estate,
 Tamworth, Staffordshire, B79 7UL United Kingdom
 T: +44 (0)1827 300640
 E: sales@oviaUK.com | W: oviaUK.com



Catalogue



Section



DoC



Installation

