

## Smart Receiving Controller, 1A for Wireless Kinetic Switches

SKU Code: WS1038 / WS1039

**Max Load 1A (100W). No Battery, No Wiring, Self-Powered Smart Switch & Dimming Controller Receiver for House Lighting & Appliances**



### 100W Dimmable RF+Wi-Fi Receiver

1. **SKU:** WS1038
2. **Working voltage:** AC100V-240V 50/60Hz
3. **Rated current:** AC 1A (max LED 100w)
4. **Number of control channels:** Single channel
5. **Working frequency:** RF433MHZ & Wi-Fi 2.4GHz
6. **Storage capacity:** Can store 10 wireless switch controller information
7. **Wiring method:** Terminals
8. **Product weight:** 74g
9. **Receiving sensitivity:** -110dBm
10. **Communication protocol:** IEEE802.11b/g/n 2.4GHz
11. **Control way:** Wireless kinetic switch/ APP / ECHO / GOOGLE / IFTTT
12. **Control element type:** MOSFET
13. **Working temperature:** -20°C~55°C
14. **Compatible light(driver):** Leading edge/trailing edge dimmable LED, halogen light, incandescent light
15. **Dimension:** L98mm\*W44mm\*H31mm

### Features

1. **This receiving controller will transform your house or buildings into a smart home fastly.**  
This receiving controller is mounted in the ceiling or in the old switch back box or electric box or behind your electric socket. Will turn your any dumb devices into a smart devices. You can use our wireless kinetic switch, Voice, APP to control them without wires limitness or extra construction cost or digging walls. It can be used in new building and retrofits.
2. **With self-powered switch, no battery required**  
Our switch adopts MEA micro-energy harvesting power generation technology, which is efficiently converted into electric energy by the user's light-pressing kinetic switch.
3. **Reliable wireless communication, no wiring required**  
Based on the ISM band, equipped with EBL 1.1 communication protocol, the switch does not need to be wired when working with controller.
4. **A variety of combination control**  
By switch pairing with the controller, it is easy to achieve double control, multiple control, master control. scene switch.
5. **Perfect integration into smart home**  
Remote control ,scene setting up via mobile APP, Voice control by Amazon Echo, Google home.

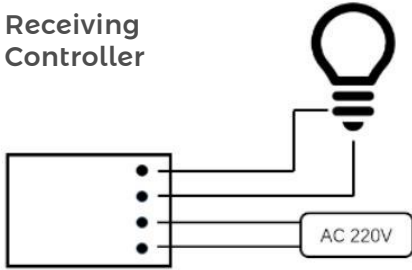
### 100W Dimmable RF Receiver

1. **SKU:** WS1039
2. **Working voltage:** AC100V-240V 50/60Hz
3. **Rated current:** AC 1A (max LED 100w)
4. **Number of control channels:** Single channel
5. **Working frequency:** RF433MHZ
6. **Storage capacity:** Can store 10 wireless switch controller information
7. **Wiring method:** Terminals
8. **Product weight:** 74g
9. **Receiving sensitivity:** -110dBm
10. **Communication protocol:** IEEE802.11b/g/n 2.4GHz
11. **Control way:** Wireless kinetic switch/ APP
12. **Control element type:** MOSFET
13. **Working temperature:** -20°C~55°C
14. **Compatible light(driver):** Leading edge/trailing edge dimmable LED, halogen light, incandescent light
15. **Dimension:** L98mm\*W44mm\*H31mm

## How to Use

- 1. Installation:** Connect the wireless receiver 'Input' to the power supply, and the 'Output' terminal to the light or other load.

### Receiving Controller



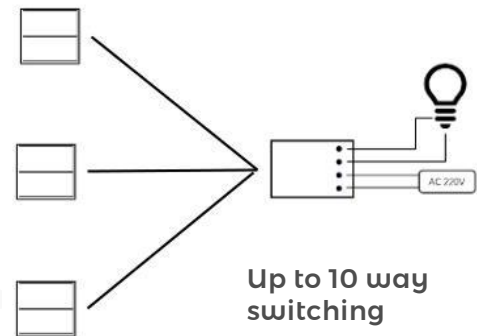
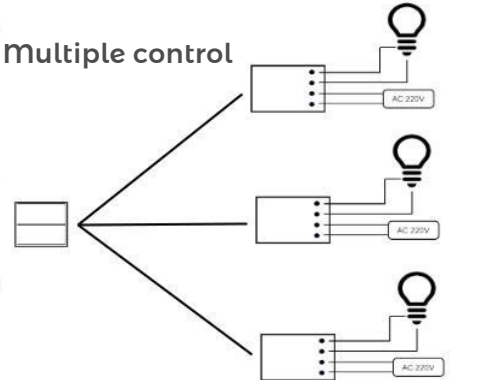
- 2. Mobile phone pairing:** The wireless receiver can be remotely controlled after pairing with the mobile phone through Wi-Fi. Please download the "kinetic switch" APP in the APP Store, major markets or official website. Do pairing according to the user manual.
- 3. Switch pairing:** The wireless receiver can use the mobile phone and the wireless switch at the same time. The method of pairing with the wireless switch is to press and hold on the 'Pairing key' for 3 seconds, and the controller 'LED indicator' flickers slowly. At this time, press one gang area of the Wireless Kinetic Switch, and the LED indicator stops flashing to indicate the pairing is successful. (Or turn on the pairing mode of the controller in the APP and choose the selected switch to pair). After the pairing is successful, the switch can be used to control the light.



Press and hold for 3S

- 4. Clear pairing:** To clear the pairing information, press and hold the pairing button for 10 seconds. The LED indicator flickers from quick flicker to slow flicker at last always off. After the LED indicator's off, all the pairing information is cleared. Can be re-paired again.
- 5. Dimming function:** The receiver can use the push type wireless switch (M1 S2 K series etc.) to pair and then press and hold the switch to perform linear cycle dimming. You can also use the mobile app to dim on the dimming interface.
- 6. Combination mode:** The controller can store up to 10 wireless switch information. After pairing in turn, multiple control and single control can be realized.

### Multiple control



Up to 10 way switching

## Wiring Diagram

