

# 1 Gang Wireless Grid Switch

ENER-J's 1 Gang wireless grid switch is compatible with the Click Scolmore Mini Grid and can be installed into it.

It can be used with the standard switch or with the dimming ECO Range receiving controller. The switch has a built-in micro energy generator; when the switch is pressed, the kinetic system transforms the movement into energy. This signal is transmitted to the receiver to turn the lamp or other connected load on or off. This solution addresses the issue of needing to install switch wiring, which has been a problem since the invention of the lamp.



Press with finger to produce kinetic energy



Internal module collects kinetic energy



Kinetic energy is converted into electricity



Communication module transmits signal



Receiver controls the light



No Wiring. No Battery. Easy installation and usage.



IP Rating



No Battery



Can be used 2 Way



No Wiring



Distance 20m (indoor)

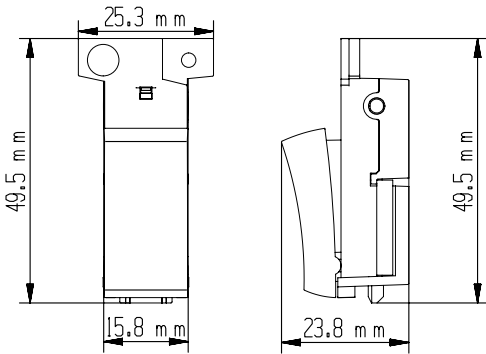


No Drilling of Holes

## Technical Specifications:

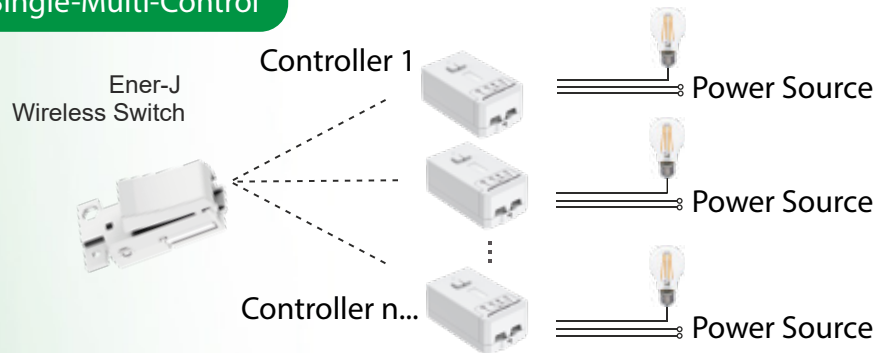
<b>Work Type</b>	Reciprocating work by Grid Switch
<b>Power Model</b>	Power generation by mechanical force (no battery required)
<b>Work Frequency</b>	433MHz
<b>Number Keys</b>	1 Key
<b>Colour</b>	White
<b>Lifetime</b>	100,000 times
<b>Distance</b>	20m (indoor)
<b>Work Environment Temperature</b>	20°C - 55°C
<b>Weight</b>	15g
<b>Certification</b>	CE, ROHS, FCC, UKCA

### Product Dimensions



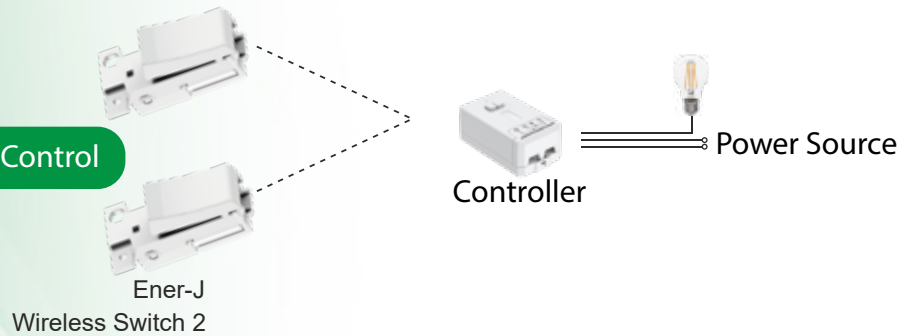
## Ener-J Controller Wireless Systems

### Single-Multi-Control



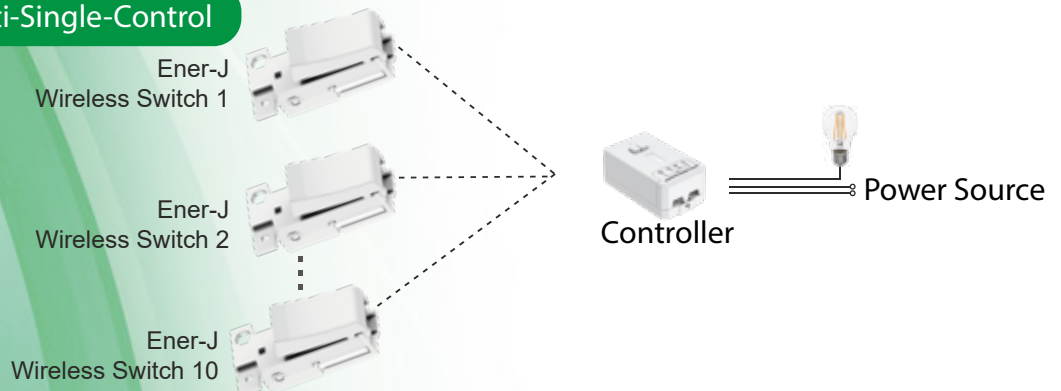
### 1 - Way wireless System

### Dual Control



### 2-Way Wireless System

### Multi-Single-Control



### 3-Way Wireless System

#### Stuck? Confused?

Contact our Technical Support team on:

T: +44 (0)1291 446 105 E: support@ener-j.co.uk

Lines are open Mon - Fri (8am to 4pm)

Email: info@ener-j.co.uk

Web: www.ener-j.co.uk