

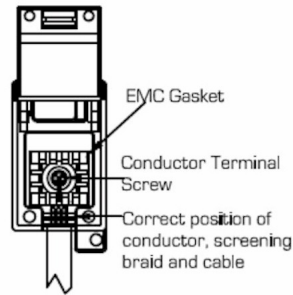
## MOD-DTVFQG

### EuroFix | EUROFIX RANGE | Digital Television Sockets - Screened Non-Isolated/DAB Compatible Modules

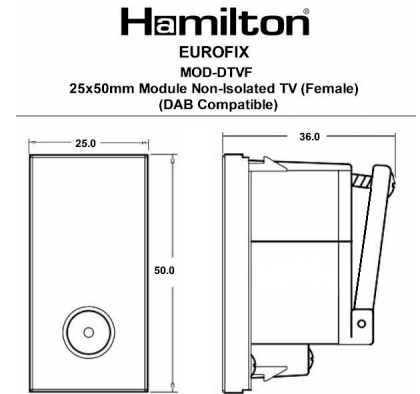
Item Image



Wiring



Dimensions



Primary Range	EuroFix
Insert Type	25x50mm Module Non-Isolated TV (Female) (DAB Compatible)
Insert Colour	Quartz Grey
EAN13 Barcode	5017504090845
Commodity Code	85367000
Luckins TSI	407776513
Dimensions(Nominal)	Module: Height = Width = Depth =
Weight	45 GR
Switched Poles	N/A
Current Rating	n/a
IP Rating	IP2XD
Contact Gap Minimum	N/A
Earth Terminal Capacity 1	5x1mm <sup>2</sup>
Earth Terminal Capacity 2	4 x 1.5mm <sup>2</sup>
Earth Terminal Capacity 3	3 x 2.5mm <sup>2</sup>
Earth Terminal Capacity 4	1 x 4mm <sup>2</sup> Multi-strand
Earth Terminal Capacity 5	1 x 6mm <sup>2</sup>
Product Class 1	Must be earthed (ref BS7671 415.2.1)
Ambient Operating Temperature	-5° to +40°C
Recommended Location	Internal Use Only
Maximum Installation Altitude	2000m
Standard/Approval	BS 5733
Additional Notes	Note Mains operated and extra low voltage products must not be installed in the same face plate aperture. When installing within the same back box a suitable phase barriers MUST be used to separate the two voltages. See BS 7671 Wiring regulations for further details.

## MOD-DTVFQG

### EuroFix | EUROFIX RANGE | Digital Television Sockets - Screened Non-Isolated/DAB Compatible Modules

<p>All products listed conform to current British or European standard and the product information is correct at the time of going to press.</p>	<p>All accessories are manufactured under an accredited BS EN ISO 9001 : 2015 Quality Management System.</p>	<p>It is the policy of the company to improve products as part of our development programme. Therefore, we reserve the right to alter designs and dimensions without prior notice.</p>
<p>Illustrations and diagrams are reproduced within the limitations of reproduction and printing process and are not binding.</p>	<p>Due to manufacturing processes we cannot guarantee an exact colour match and shadings of of certain finishes.</p>	<p>Correct as at 21 April 2022 05:49 PM E&amp;OE</p>
<p>R Hamilton &amp; Co Ltd, Unit 10 Carrick Business Centre, 4-5 Bonville Road, Brislington, Bristol, BS4 5NZ T: +44 (0)1747 860088 E: info@hamilton-litestat.com www.hamilton-litestat.com Registered Office 1 Rushmills, Bedford Road, Northampton NN4 7YB Registered in London No. 941624 VAT Registration No. 222 6607 84</p>		
<p>MOD-DTVFQG-EuroFix   EUROFIX RANGE   Digital Television Sockets - Screened Non-Isolated/DAB Compatible Modules</p>		