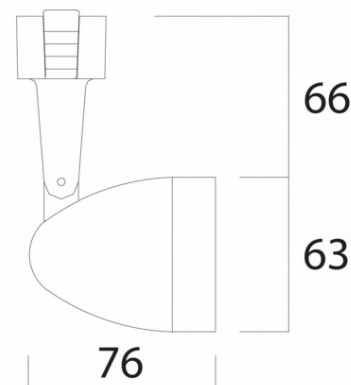


<b>Range Name:</b>	Lumapar
<b>Product Type:</b>	Spotlights
<b>Product Code:</b>	TM3410-BL/S

<b>Body Colour:</b>	Black
<b>Mounting:</b>	Track Mounted
<b>Track Adaptor:</b>	S - 1-Circuit Switched Track Adaptor
<b>Pendant Stem Length(mm):</b>	-
<b>Vertical Mount:</b>	-
<b>Environment:</b>	Interior
<b>Size(mm)</b>	76 x 63 x 129
<b>Cut Out(mm):</b>	-
<b>Recessed Depth(mm):</b>	-
<b>Vertical Tilt(°):</b>	90°
<b>Horizontal Rotation(°):</b>	355°
<b>Light Source:</b>	Multi Source
<b>Lamp Type:</b>	GU10 PAR16
<b>Lamp Included:</b>	No
<b>Lamp Base:</b>	GU10
<b>Lamp Life(Hours):</b>	-
<b>Lumen Output(lm):</b>	-
<b>Colour Temperature(k):</b>	- -
<b>CRI(Ra):</b>	-
<b>Beam Angle(°):</b>	-
<b>Voltage(V):</b>	230VAC
<b>Total System Power(W):</b>	-
<b>Lamp Current(A):</b>	-
<b>Power Factor:</b>	-
<b>Luminaire Efficacy(lm/W):</b>	-
<b>Class:</b>	Class 1
<b>Gear:</b>	-
<b>EAN Code:</b>	5030785042563
<b>Dimmability:</b>	-
<b>Emergency:</b>	-
<b>IP Rating:</b>	IP20
<b>Weight(kg):</b>	0.14kg
<b>Housing Material:</b>	Aluminium
<b>Material Finish:</b>	Powder Coated
<b>Guarantee:</b>	5 Year Guarantee



Images, line drawings and measurements illustrated may, in some cases be approximate and for guidance only. Colour finishes will be maintained as accurately as possible but matching cannot be guaranteed.

Illuma Lighting are continually developing and improving its products. Technical specifications subject to change without prior notice.

For full terms and conditions visit: <https://www.illumina.co.uk/terms.htm>