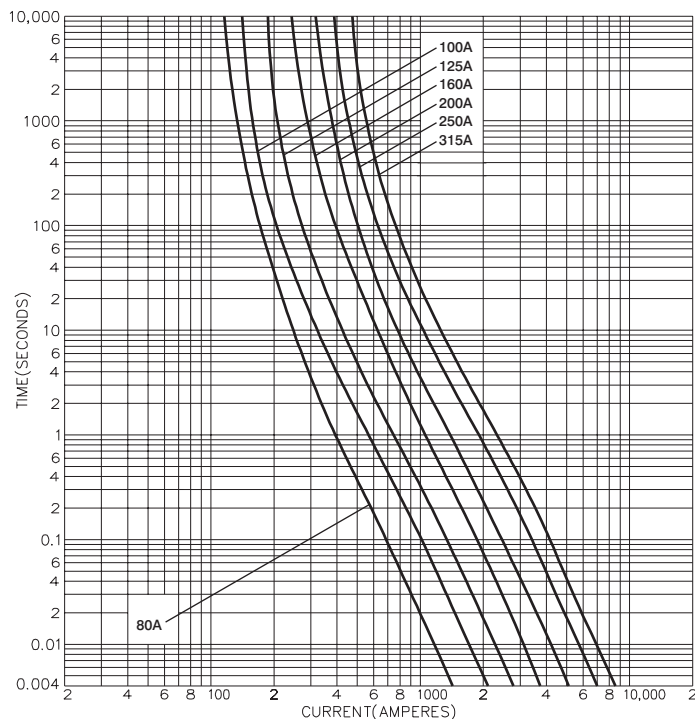


**BS88:5 'J' - Type Feeder Pillar Fuse Link**  
**415 Volts 80A to 315A ac**

**MJ30-7**

**Time-Current Characteristic Curves**



**Description.**

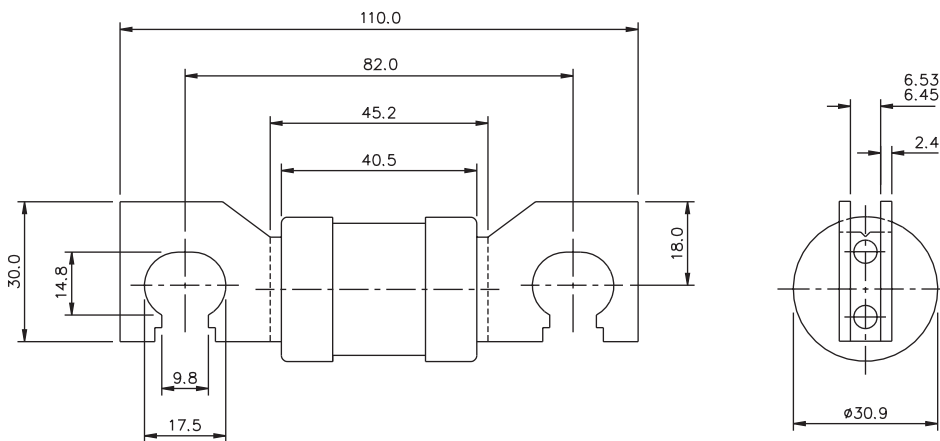
Feeder Pillar fuse Links are designed to meet the exacting requirements of the Electricity Supply Industry and are ASTA Certified to BS88:5

The ordering codes are given in the table below.

Catalog Number	I <sup>2</sup> t (Amp <sup>2</sup> Seconds)			Nom. Watts Loss	Rated Voltage ac
	Amp Ratings	Pre-Arcing	Total at 240V		
80MJ30	80	8,000	13,500	19,000	415V
100MJ30	100	14,000	24,500	35,000	
125MJ30	125	29,000	50,000	71,000	
160MJ30	160	57,000	97,000	135,000	
200MJ30	200	120,000	205,000	290,000	
250MJ30	250	200,000	340,000	480,000	
315MJ30	315	265,000	450,000	635,000	

Packaging - 10 per carton

**Dimensional Data**



This bulletin is intended to clearly present comprehensive product data and provide technical information that will help the end user with design applications. Bussmann reserves the right, without notice, to change design or construction of any products and to discontinue or limit distribution of any products. Bussmann also reserves the right to change or update, without notice, any technical information contained in this bulletin. Once a product has been selected, it should be tested by the user in all possible applications.



**Bussmann Division**  
**Cooper (U.K.) Ltd**  
 Burton-on-the-Wolds  
 Leicestershire, LE12 5TH  
 United Kingdom  
 Tel: (44) (0)1509 88 27 37  
 Fax: (44) (0)1509 88 27 86

**Head Office**  
 St. Louis, MO, U.S.A. Tel: (314) 527-3877 Fax: (800) 544-2570 International Fax: (314) 527-1445

