

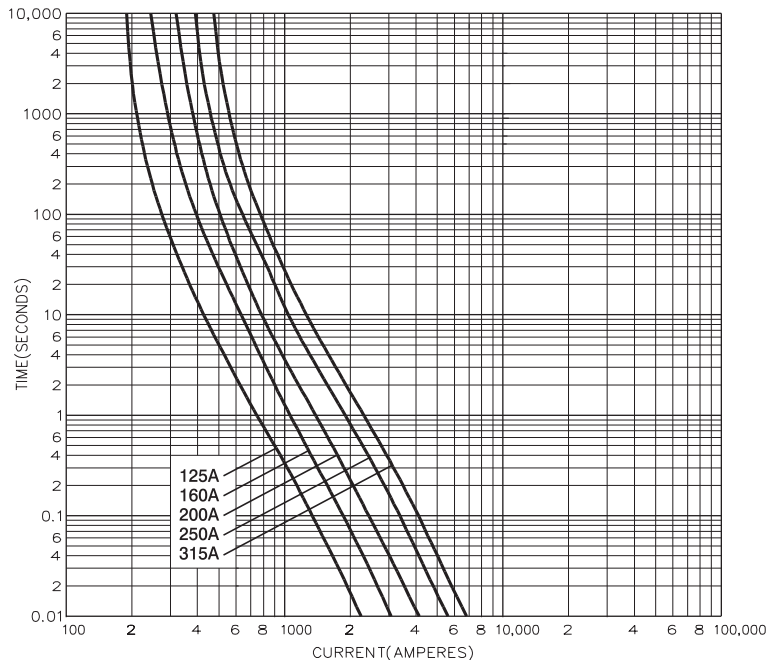
BS88, IEC269 Industrial HRC Fuse Links

Centre Bolted Tags 415V ac 125-315 Amps

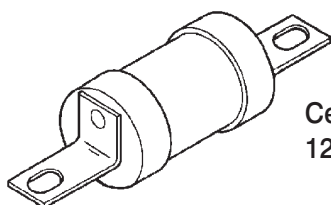
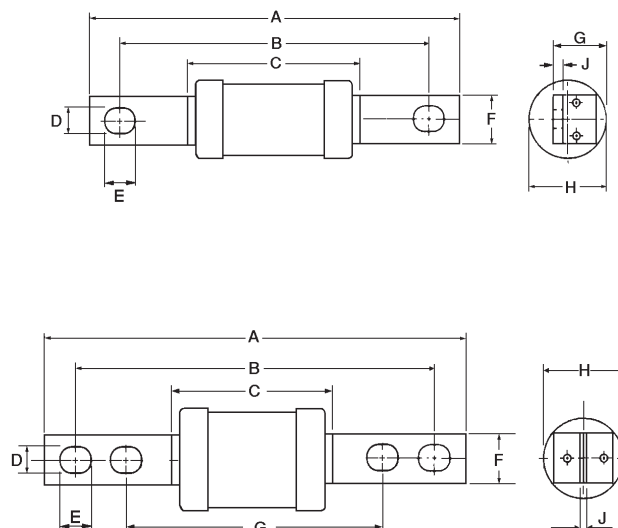
EFS

Time-Current Characteristic Curves

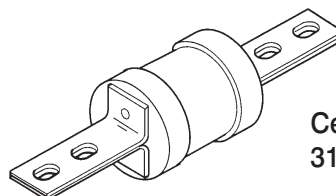
Non Motor Rated



Dimensional Data



Centre Bolted Tag 2 hole
125-250A



Centre Bolted Tag 4 hole
315A

Catalog Number	I ² t (Amps ² Seconds)			Nom. Watts Loss	Rated Voltage	Dimensions (mm)								
	Amp Ratings	Pre-Arcing	Total at 415V			A	B	C	D	E	F	G	H	J
EFS125	125	29,500	71,000	11	415 ac	158.0	133.0	47.0	10.5	12.5	19.0	22.5	31.0	3.2
EFS160	160	57,000	135,000	13										
EFS200	200	120,000	290,000	14										
EFS250	250	200,000	480,000	18										
EFS315	315	265,000	635,000	22										

Packaging - 1 per carton

This bulletin is intended to clearly present comprehensive product data and provide technical information that will help the end user with design applications. Bussmann reserves the right, without notice, to change design or construction of any products and to discontinue or limit distribution of any products. Bussmann also reserves the right to change or update, without notice, any technical information contained in this bulletin. Once a product has been selected, it should be tested by the user in all possible applications.

Bussmann Division
Cooper (U.K.) Ltd
 Burton-on-the-Wolds
 Leicestershire, LE12 5TH
 United Kingdom
 Tel: (44) (0)1509 88 27 37
 Fax: (44) (0)1509 88 27 86

Head Office
 St. Louis, MO, U.S.A. Tel: (314) 527-3877 Fax: (800) 544-2570 International Fax: (314) 527-1445



Bussmann Information Fax (00 1) 314 527 1450
 Bussmann WEB site - <http://www.bussmann.com>