

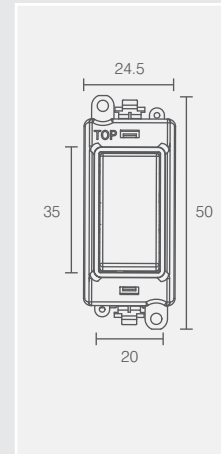


**20AX 2 Way Switch Modules**

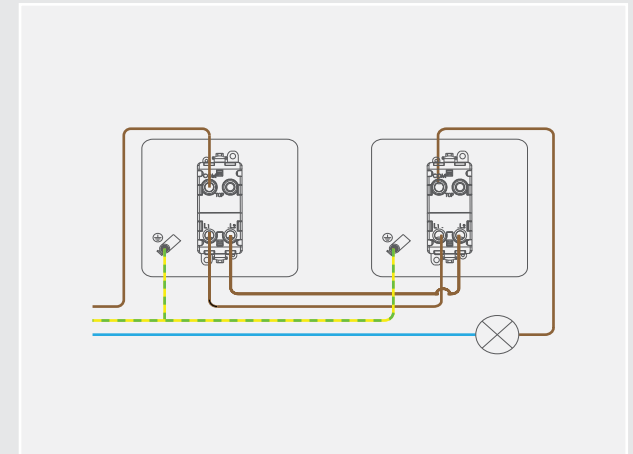
<b>GM2002PW</b>	20AX 2 Way Switch Module - White
<b>GM2002BK</b>	20AX 2 Way Switch Module - Black
<b>GM2002PWBR</b>	20AX 2 Way Switch Module - White - Polished Brass
<b>GM2002PWBS</b>	20AX 2 Way Switch Module - White - Brushed Stainless
<b>GM2002PWCH</b>	20AX 2 Way Switch Module - White - Polished Chrome
<b>GM2002PWPB</b>	20AX 2 Way Switch Module - White - Pearl Nickel
<b>GM2002PWBS</b>	20AX 2 Way Switch Module - White - Satin Brass
<b>GM2002PWSC</b>	20AX 2 Way Switch Module - White - Satin Chrome
<b>GM2002PWSS</b>	20AX 2 Way Switch Module - White - Stainless Steel
<b>GM2002BKAB</b>	20AX 2 Way Switch Module - Black - Antique Brass
<b>GM2002BKBN</b>	20AX 2 Way Switch Module - Black - Black Nickel
<b>GM2002BKBR</b>	20AX 2 Way Switch Module - Black - Polished Brass
<b>GM2002BKBS</b>	20AX 2 Way Switch Module - Black - Brushed Stainless
<b>GM2002BKCH</b>	20AX 2 Way Switch Module - Black - Polished Chrome
<b>GM2002BKPN</b>	20AX 2 Way Switch Module - Black - Pearl Nickel
<b>GM2002BKSB</b>	20AX 2 Way Switch Module - Black - Satin Brass
<b>GM2002BKSC</b>	20AX 2 Way Switch Module - Black - Satin Chrome
<b>GM2002BKSS</b>	20AX 2 Way Switch Module - Black - Stainless Steel

Standards: Switch Modules: BS EN 60669-1  
 Back Box Depth: 25mm Minimum Cable Size: 2 x 4mm, 3 x 2.5mm, 1 x 6mm

DIMENSIONS (mm)



TYPICAL 2 WAY SWITCHED CIRCUIT



**Material Composition**

Rocker Switch: Urea or Urea + Stainless Steel Cover (Ingot)  
 Cover, Insert & Rear Housing: Nylon  
 Terminals: Brass  
 Terminal Screws: Steel & Yellow Passivated  
 Silver "on-lay" Copper / Brass Contacts

**Voltage**

250V – 50Hz

**Current Rating**

20AX (suitable for inductive loads)

**Terminal Size**

5mm ø

**Torque Value**

1.2Nm

**Cable Size**

2 x 4mm<sup>2</sup>, 3 x 2.5mm<sup>2</sup> or 1 x 6mm<sup>2</sup>

**Back Box Depth**

25mm - 47mm (Deco®, Deco Plus®, Mode®, Polar®) 35mm - 47mm (Define®, Definity™)

**Modular**

Yes

**Warranty**

10 Years

**Antimicrobial Certified**

Yes (Non Ingot Switches Only)

**IP Rating**

IP20

**Operational Temperature**

-5°C to +40°C

**Standards**

BS EN 60669-1:1999 + A1:2002 + A2:2008

**Additional Information:**

Ensure that the mains supply is isolated before commencing installation and refer to the circuit diagram supplied with the relevant product. These products are rated at 20AX; therefore all terminals should not exceed the stated amperage. Bare earth cables must always be covered with appropriate sleeving and wired to the earth terminal. All white moulded accessories are manufactured using Urea Formaldehyde, which has similar inherent properties to antimicrobial additives that inhibit the growth of infectious diseases. All products were independently tested and achieved a 99.9% kill rate across all four types of the strains of bacteria - MRSA, E-Coli, Salmonella, and Klebsiella Pneumoniae.