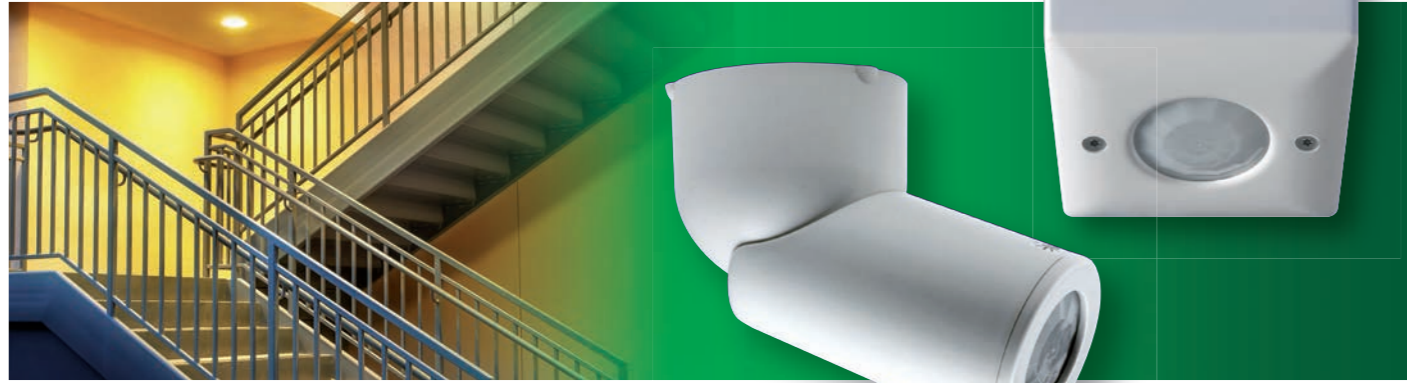


PLUG IN PIR OCCUPANCY SWITCH



This range of plug-in energy saving products is designed for the automatic switching of a wide variety of load types.

These PIR switches and photocell switches plug into a ceiling mounted socket. The socket can be mounted onto an appropriate BESA box or pattress box.

Product options include:

- Directional PIR occupancy switch - 10m range
- Long range directional PIR occupancy switch - 25m range
- Look down PIR occupancy switch

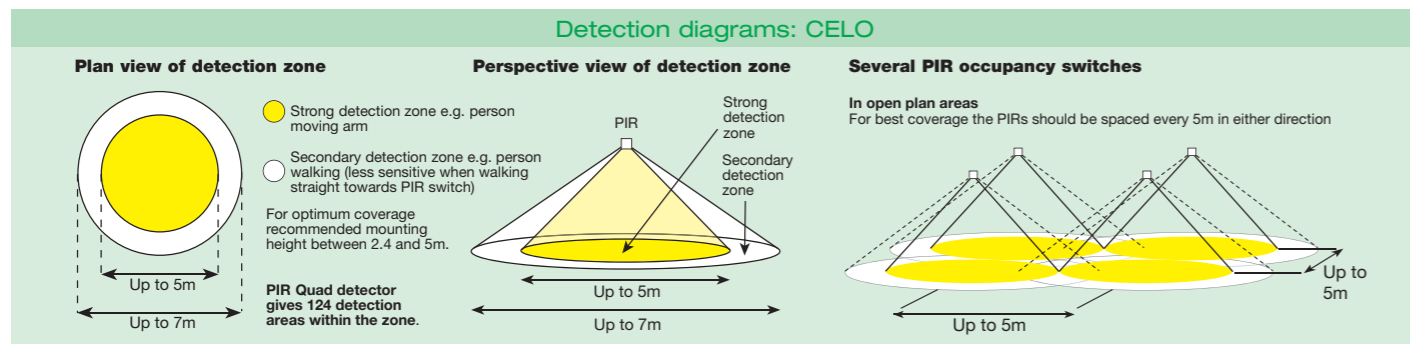
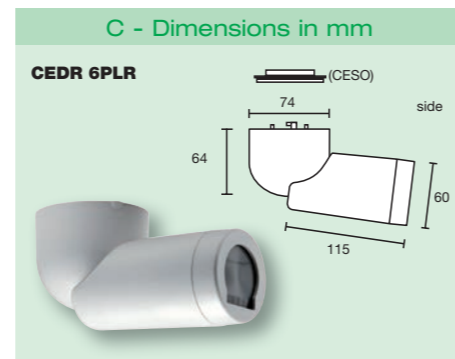
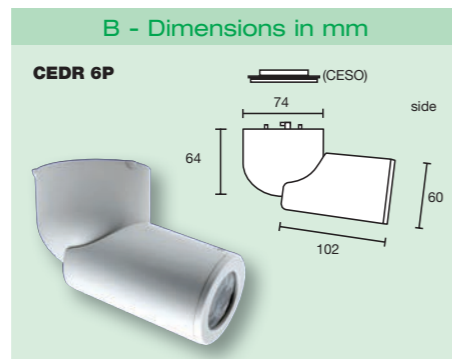
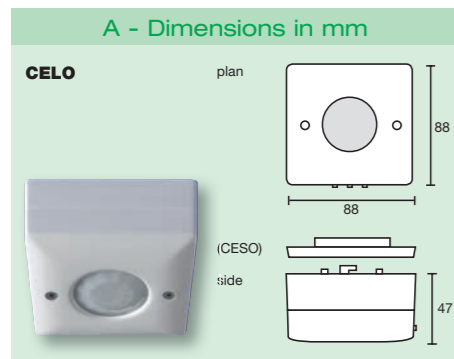
SPECIFICATION:

Detection zone:	CELO: 360° CEDR 6P: 120° CEDR 6PLR: 6°
Max. detection area:	See diagrams on page 31
Max. mounting height:	See diagrams on page 31
Photocell range:	30-1000 lux and inactive
Time lag range:	10 seconds to 40 minutes in 9 steps
Dimensions:	See diagrams below.

LOADING:

6 amps (1500W)	Resistive
6 amps (1500W)	Fluorescent
3 amps (750W)	Electronic or wire wound transformer
2 amps (500W)	LED Drivers and LED lamps and fittings
2 amps (500W)	CFL or 2D lamps
1 amp (250W)	Fans
Minimum Load:	2W resistive.

5 YEAR WARRANTY - MADE IN THE U.K.



PLUG IN PIR OCCUPANCY SWITCH

DANLERS PRODUCT ORDER CODE	DETECTION TYPE	PHOTOCELL LUX RANGE	ADDITIONAL PRODUCT DESCRIPTION	WIRING DIAGRAMS	DIMENSION DIAGRAMS
CELO	Presence	30-1000 & inactive	"Look-down" detection pattern. Plugs into ceiling socket CESO (see below).	31.1	A
CEDR 6P	Presence	30-1000 & inactive	Directional detection. Detection angle 120°. Can be rotated and lowered to a 45° angle. Plugs into ceiling socket CESO (see below).	31.1	B
CEDR 6PLR	Presence	30-1000 & inactive	With a long range, narrow detection beam. Designed for corridors and storage aisles. Can be rotated and lowered to a 45° angle. Plugs into ceiling socket CESO (see below).	31.1	C
CESO	-	-	Round ceiling socket. Can be mounted on a BESA box.	31.1	74 diam. x 13mm
CEBO	-	-	Round ceiling box suitable for ceiling socket (Order code CESO).	31.1	65 diam. x 29mm
PABO	-	-	Pattress box suitable for square ceiling mounted products.	-	87 x 87 x 28mm

