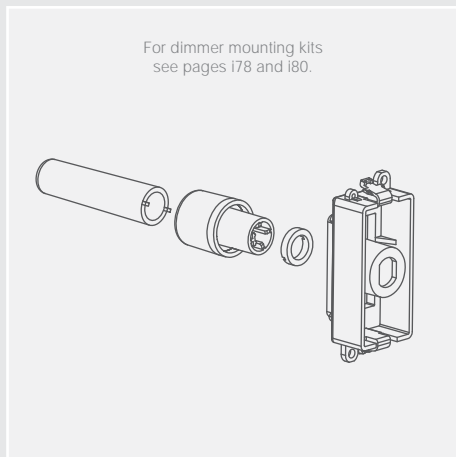




GM9010



MD9014



Dimmer Modules

- GM9001** 6A 2 Way Push On/Off (Non-Dimmable) Module
- GM9010** 1-10V Analogue Dimmer Module
- GM9022** 250W 2 Way Dimmer Module
- GM9042** 400W 2 Way Dimmer Module

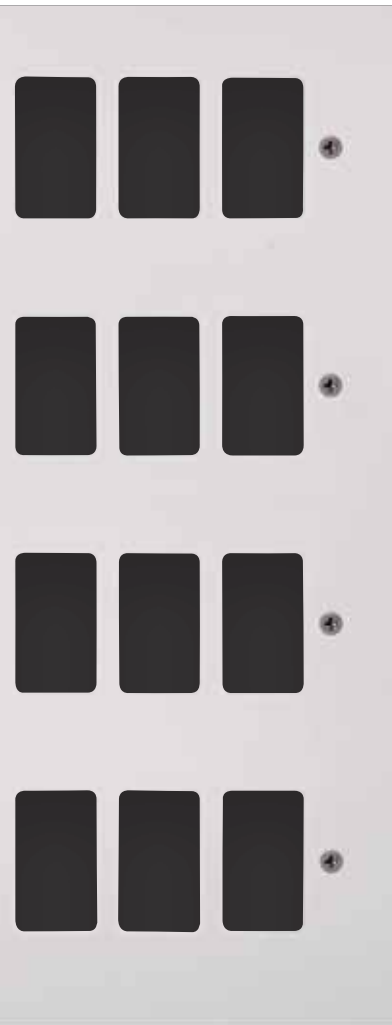
The Click® dimming modules above are suitable for mounting next to each other using the appropriate mounting kit. Due to their physical size, they are not suitable to be mounted directly above each other.

Dimmer Modules

- MD9014** 100W Dual Mode Dimmer Module with Trim (26.5 x 55mm)

Due to the reduced height, the MD9014 is suitable for mounting directly above each other.

Standards: BS EN 60669, BS EN 55015
 Back Box Depth: 25-47mm Cable Size: 2 x 1.5mm²
 Dimmer Type: Leading Edge MD9014: Leading & Trailing Edge



GridPro® Frontplates

The GridPro® frontplates illustrated on the following pages are all unfurnished for easy and quick configuration with the required modules.

The new 1 - 24 gang frontplates designed for GridPro® are available from each of the existing Click® wiring accessory ranges.

These new additions to each range seamlessly match the range they belong to, including standard fixing centres allowing uniform alignment. All existing range finishes and warranties apply to the new GridPro® frontplates.

In continuing the consistency of the range for the new GridPro® frontplates, we have ensured all Mode® and Polar™ products maintain the urea material to ensure consistent aesthetics and colour matching throughout the range as well as keeping the antimicrobial properties these ranges are known for.

