

BATTEN MOUNTED PIR OCCUPANCY SWITCHES



This range of energy saving products is designed for the automatic switching of lighting loads.

Designed to fit on the end of an existing batten or a suspended light fitting via a 20mm knock out. Comes with 1m wire tails included for quick and convenient installation.

Ideal for use in factories, warehouses, offices, schools etc.

Real time photocell status indicator, glows green when active or red when inactive (not available on BMEXPIR or BMEXPH models).

Product options include:

- 5m, 10m, spot and reduced height range options
- IP66 rated version suitable for external applications
- Versions with adjustable passive photocell
- Versions with adjustable intelligent active photocell for additional savings.



SPECIFICATION:

Detection zone:	360°
Max. detection area:	5m, 10m, spot and reduced height range options
Max. mounting height:	5m
Photocell range:	See tables on page 49
Time lag range:	10 seconds to 40 minutes in 9 steps
Dimensions:	See diagrams below.

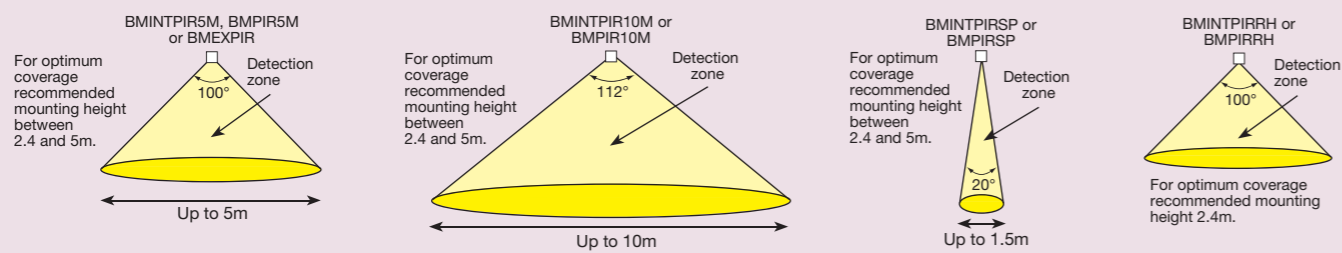
LOADING

10 amps (2500W)	Resistive
6 amps (1500W)	Fluorescent
3 amps (750W)	Electronic or wire wound transformer
2 amps (500W)	LED Drivers and LED lamps and fittings
2 amps (500W)	CFL or 2D lamps
1 amp (250W)	Fans
Minimum Load:	2W resistive.

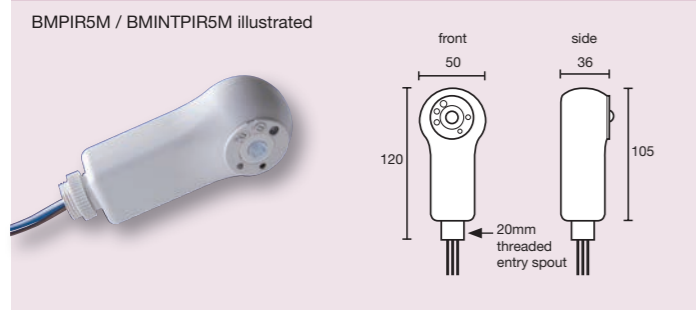
5 YEAR WARRANTY - MADE IN THE U.K.

Detection diagrams

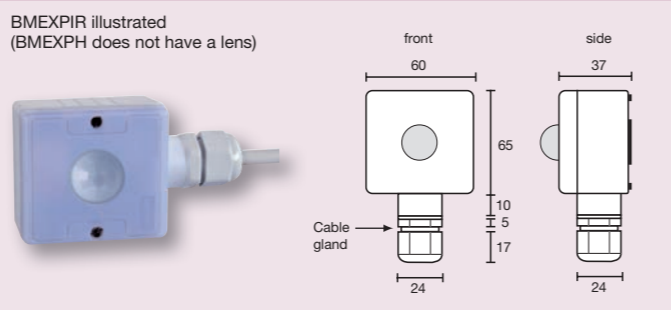
Perspective view of detection zone



A - Dimensions in mm



B - Dimensions in mm



BATTEN MOUNTED PIR OCCUPANCY SWITCHES

BATTEN MOUNT CONTROLS WITH PASSIVE PHOTOCELL

Ideal for areas with minimal or no natural daylight.

DANLERS PRODUCT ORDER CODE	DETECTION TYPE	PHOTOCELL LUX RANGE	ADDITIONAL PRODUCT DESCRIPTION	WIRING DIAGRAMS	DIMENSION DIAGRAMS
BMPIR 5M	Presence	30-1000 & inactive	Can be mounted onto the end of lighting battens via the 20mm knock out. IP53 rated. 5m detection at 2.4m - 5m mounting height.	49.1	A
BMPIR 10M	Presence	30-1000 & inactive	As BMPIR5M but 10m diameter detection at 2.4m - 5m mounting height.	49.1	A
BMPIR SP	Presence	30-1000 & inactive	As BMPIR5M but Spot detection, 1.5m diameter detection at 2.4m - 5m mounting height.	49.1	A
BMPIR RH	Presence	30-1000 & inactive	As BMPIR5M but Reduced Height version to avoid detection spillage onto lower floors in mezzanine storage applications. 2.5m diameter detection at 2.4m mounting height.	49.1	A
BMEXPIR	Presence	10-1000 & inactive	IP66 rated. Ideal for outdoor use such as car parks underpasses, etc. 5m detection at 2.4m - 5m mounting height.	49.1	B
BMEXPH	-	10-1000	IP66 rated switching photocell - no person detection. Switches on when ambient light is below chosen threshold, and switches off when above a higher threshold (including differential).	49.1	B

BATTEN MOUNT CONTROLS WITH 'INTELLIGENT' ACTIVE' PHOTOCELL (GB PATENT NO. 2 502 847)

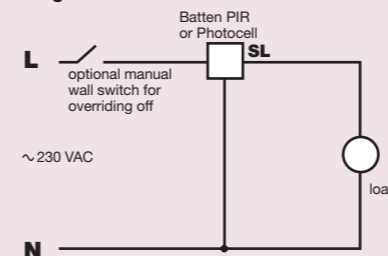
With a unique, one touch calibration process, these products learn the light contribution of the artificial light they are controlling and take this into account when automatically switching on or off. This eliminates the risk of the load 'cycling' on and off. **To maximise on the energy saving potential of the 'Intelligent' photocell, these products are recommended for areas with some natural daylight.**

If the lighting load is ON and the ambient light rises above the preset threshold - the load is switched OFF. The load is inhibited from switching ON if the lux is greater than the preset threshold. The active photocell operation maximises energy saving. The Overlux timer (passing cloud timer) minimises unnecessary switching for brief, transient changes in ambient daylight.

DANLERS PRODUCT ORDER CODE	DETECTION TYPE	PHOTOCELL LUX RANGE	ADDITIONAL PRODUCT DESCRIPTION	WIRING DIAGRAMS	DIMENSION DIAGRAMS
BMINTPIR 5M	Presence	30-1000	Can be mounted onto the end of lighting battens via the 20mm knock out. 1 metre wire tails to connect to the lighting ballast. IP53 rated. 5m detection at 2.4m - 5m mounting height.	49.1	A
BMINTPIR 10M	Presence	30-1000	As BMINTPIR5M but 10m detection at 2.4m - 5m mounting height.	49.1	A
BMINTPIR SP	Presence	30-1000	As BMINTPIR5M but Spot detection, 1.5m diameter detection at 2.4m - 5m mounting height.	49.1	A
BMINTPIR RH	Presence	30-1000	As BMINTPIR5M but Reduced Height version to avoid detection spillage onto lower floors, 2.5m diameter detection at 2.4m mounting height.	49.1	A
BMINTPH	-	30-1000	Switching photocell - no person detection. Switches on when ambient light is below chosen threshold, and switches off when above a higher threshold (including differential).	49.1	A

49.1. Wiring diagrams

Single control



A few controls wired in parallel

