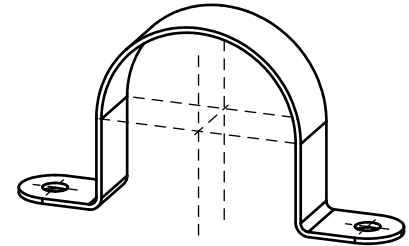


IH104 / IH143 Saddle Clamp

(P 04 30)

for steel, copper and insulated pipes 15 - 273 mm

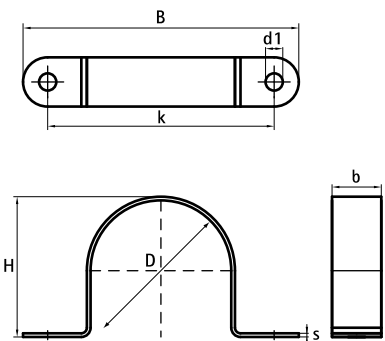


Features and benefits

- Type IH104: zinc plated, for steel pipe
- Type IH143: nylon coated, for copper pipe
- tight fit with pull down
- also available in:
 - self colour
 - hot dip galvanized
 - stainless steel

Part No.	D (mm)	D (°)	DN (mm)	Type	B (mm)	H (mm)	b x s (mm)	d1 (mm)	k (mm)	Pack 1
B310 3 021	21	1/2	15	IH104	86	22	25 x 3,0	7	60	25
B310 3 027	27	3/4	20	IH104	97	28	25 x 3,0	7	71	25
B310 3 034	34	1	25	IH104	100	35	25 x 3,0	7	74	25
B310 3 042	42	1 1/4	32	IH104	126	43	30 x 3,0	11	94	25
B310 3 048	48	1 1/2	40	IH104	136	49	30 x 3,0	11	104	25
B310 3 060	60	2	50	IH104	146	61	30 x 3,0	11	114	25
B310 3 076	76	2 1/2	65	IH104	182	77	40 x 3,0	14	142	25
B310 3 089	89	3	80	IH104	194	89	40 x 3,0	14	154	25
B310 3 114	114	4	100	IH104	224	114	40 x 3,0	14	184	25
B310 3 140	140	5	125	IH104	259	142	40 x 5,0	14	219	25
B310 3 168	168	6	150	IH104	284	171	40 x 5,0	14	244	25
B310 3 194	194	7	175	IH104	338	194	50 x 6,0	18	288	1
B310 3 219	219	8	200	IH104	363	219	50 x 6,0	18	313	1
B310 3 245	245	9	225	IH104	388	245	50 x 6,0	18	338	1
B310 3 273	273	10	250	IH104	418	274	50 x 6,0	18	368	1
B310 6 015	15	-	-	IH143	80	17	25 x 3,0	7	54	25
B310 6 022	22	-	-	IH143	92	24	25 x 3,0	7	66	25
B310 6 028	28	-	-	IH143	95	30	25 x 3,0	7	69	25
B310 6 035	35	-	-	IH143	113	36	25 x 3,0	7	87	25
B310 6 042	42	-	-	IH143	128	43	30 x 3,0	11	96	25
B310 6 054	54	-	-	IH143	140	55	30 x 3,0	11	108	25
B310 6 066	66	-	-	IH143	172	67	40 x 3,0	14	132	1
B310 6 076	76	-	-	IH143	180	77	40 x 3,0	14	140	25
B310 6 108	108	-	-	IH143	216	109	40 x 3,0	14	176	1
B310 6 133	133	-	-	IH143	250	135	40 x 5,0	14	210	1
B310 6 159	160	-	-	IH143	270	161	40 x 5,0	14	230	1

PP-strip is used to isolate copper pipe from any supporting steel structure. Please refer to page Q 05 85. Please specify if required.



Alternative

IH104 Stainless Steel Saddle Clamp