

BIS Wall Plate 670

fixing to wall or ceiling

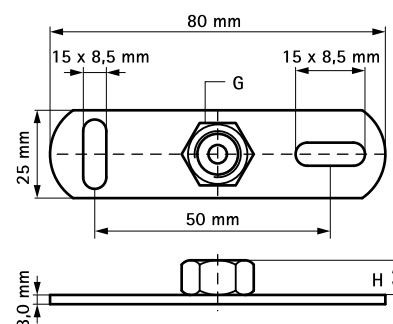
(K 15 05)



Features and benefits

- slots at 90° to each other to simplify fixing
- material: steel
- zinc plated
- with resistance welded connection nut

Part No.	G	H (mm)	Fa,z (N)	Pack 1	Pack 2
670 3 006	M6	6	2,500	50	250
670 3 008	M8	8	2,500	50	250
670 3 009	M8/10	18	2,500	50	250
670 3 010	M10	10	2,500	50	250
670 3 012	M12	12	2,500	50	250
670 3 016	M16	13	2,500	50	250



Complementary
BIS Stud Bolt