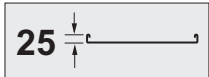


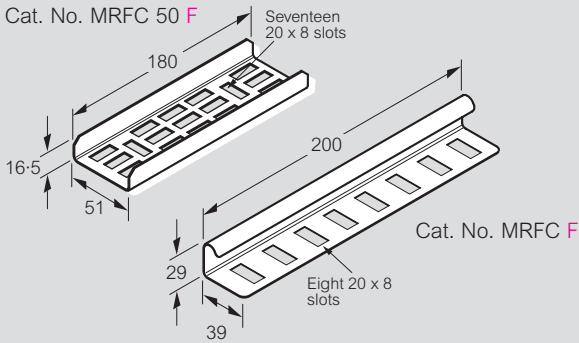
Swifts® MRF straight length to straight length coupling

standard couplers and Swiftclip / Swiftgrip (continued)
standard couplers and quick bolt fasteners



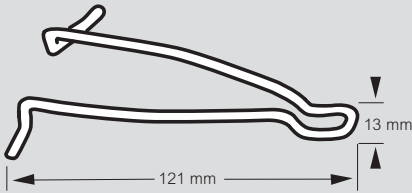
■ Dimensions and weights

Couplers - MRFC 50 F (for 50 mm wide tray) / MRFC (for 75 mm to 900 mm wide tray)



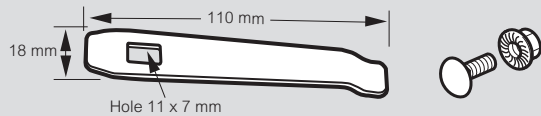
Cat. Nos.	Weight (kg)
MRFC 50 F	0.2 single
MRFC F	0.4 pair

Swiftclip (for 50 mm to 300 mm wide tray)



Cat. Nos.	Pack
SCLPG	10
SCLG	10

Swiftgrip



Cat. No.	Pack
SGR	10

Weights

All weights given are in kilograms (kg) and are for hot dip galvanised G finish
To obtain the appropriate component weight in other finishes, multiply the given weight by the following factors :

Deep galvanised (D)	x 1.06
Stainless steel (S)	x 0.94
Pre-galvanised (PG)	x 0.96
Powder coated (E)	x 0.97

All dimensions (mm) are nominal

Key : Replace the letter shown in red with your choice from the following options :

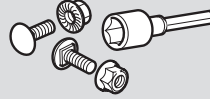
F = Finish : **G** (hot dip galvanised after manufacture),
D (deep galvanised), **PG** (pre-galvanised steel),
S (stainless steel), **E** (powder coated)

All dimensions (mm) are nominal

→ Straight lengths : see p. 46

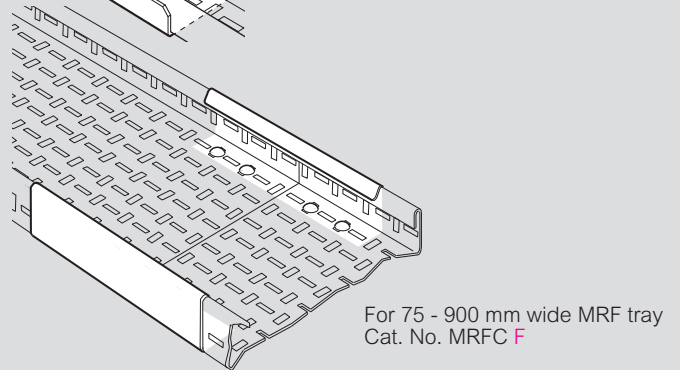
■ Standard couplers and quick bolt fasteners

Compared with conventional nuts and bolts, quick bolt fasteners are a stronger, faster, easier and safer method of joining together tray. Square-shafted quick bolts lock firmly into position before fixing. The nuts, which have integral washers and a serrated edge to reduce slip and improve earthing, can then be easily tightened using a power tool. Supplied in packs containing 100 quick bolt fasteners and a FREE power tool attachment.



■ Installation

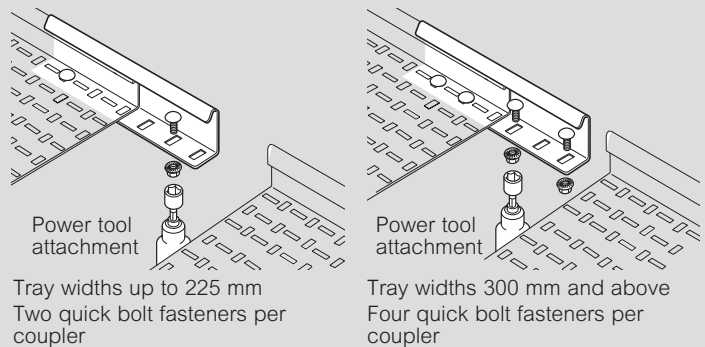
Typical installation as per standard couplers, replacing nuts, bolts and washers with quick bolt fasteners



■ Assembly

Bring together two lengths and fit a coupler on the outside of adjacent flanges at both sides of the tray joint

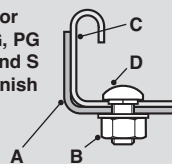
Locate the coupler and insert bolts through aligning slots in each tray bed and coupler as shown and secure with nuts



Quick bolt fasteners

Cat. Nos.	Pack	Size (mm)	Finish
QBF	100	M6 x 12	Dacromet
QBFS	100	M6 x 12	Stainless steel

For G, PG and S finish



A Coupler
B M6 flange nut
C Straight length
D M6 coach bolt

For coupler dimensions see above left