



TPCW RANGE

60% QUICKER INSTALLATION

Complete with the Award Winning EarthingNut™

Innovative Power Product of the Year

Tauras™ PEX® CW Outdoor Brass Cable Gland Pack
with award-winning EarthingNut™

Application: Brass indoor and outdoor gland suitable for all types of steel wire armoured cable (SWA), providing an environmental seal on the outer cable sheath. The gland also provides mechanical cable retention and electrical continuity via armour wire termination.

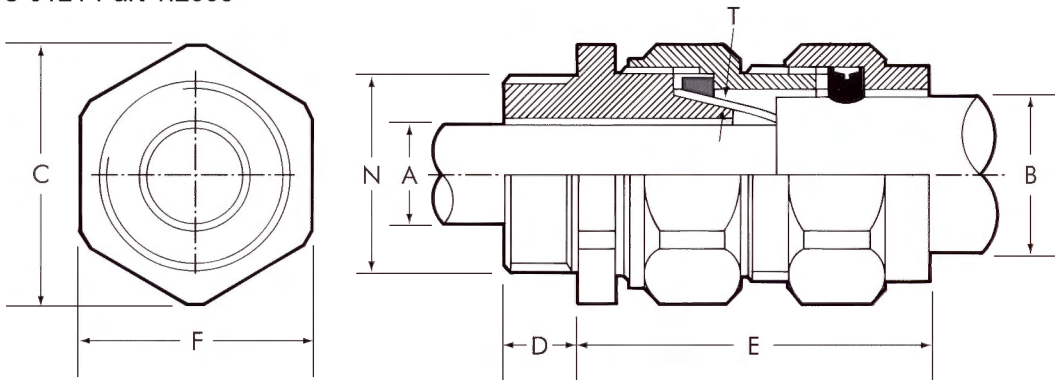
Operating Temperature (standard seals): -20°C to +80°C

Ingress Protection: IP66

Approval: BS 6121 Part 1:2005



Scan to view the demo



Part No.	Pack Quantity	Entry Thread		Cable Acceptance Details			Hexagonal Details				Assembled Length
		Diameter N	Length D	Diameter A min max	Diameter B min max	Armour Wire Size T	Body & Back Nut		Compression Nut		
							A/F F	A/C C	A/F J	A/C K	
TPCW20S-PACK-EN	2	20	10	8.0 - 11.8	12.9 - 15.8	0.90/1.25	23.0	25.6	24.0	26.7	38.0
TPCW20-PACK-EN	2	20	10	11.0 - 13.8	15.5 - 20.5	0.90/1.25	26.0	28.9	28.0	31.1	39.0
TPCW25-PACK-EN	2	25	10	13.0 - 20.0	20.3 - 27.0	1.25/1.60	34.0	37.7	35.5	39.5	45.0
TPCW32-PACK-EN	2	32	10	19.0 - 26.4	26.7 - 33.5	1.60/2.00	42.0	46.8	46.0	51.2	48.0
TPCW40-PACK-EN	1	40	15	25.0 - 32.4	33.0 - 40.1	1.60/2.00	50.0	55.7	55.0	61.0	53.0
TPCW50-PACK-EN	1	50	15	37.0 - 44.2	46.0 - 52.6	2.00/2.50	62.0	69.1	65.0	72.1	59.0
TPCW63-PACK-EN	1	63	15	48.0 - 56.2	58.4 - 65.3	2.50	76.0	84.7	80.0	88.8	66.0

All dimensions are in mm.

Pack content: Gland(s), shroud(s), EarthingNut™(s) and Crimp Connectors.

Packs are also available with Low-smoke LSF shroud or

Low Smoke Zero-halogen LSZH shroud -

Suffix above part numbers with either -LSF or -LSZH

