

BW Premier Range Brass Cable Gland Pack

2 Part Indoor

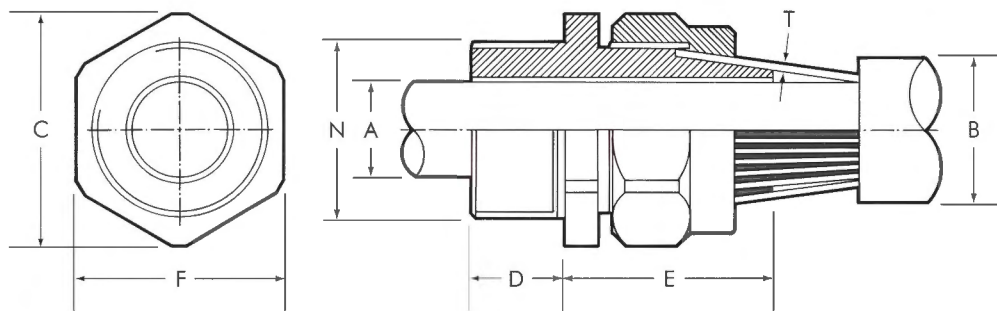


Application: Brass indoor gland suitable for all types of steel wire armoured cable (SWA), providing mechanical cable retention and electrical continuity via armour wire termination.

Operating Temperature: -80°C to +300°C

Ingress Protection: IP2X EN60529

Approval: BS 6121 Part 1:2005



Part No.	Pack Quantity	Entry Thread		Cable Acceptance Details			Hexagonal Details		Assembled Length
		Diameter N	Length D	Diameter A min max	Diameter B min max	Armour wire size T	A/F F	A/C C	
BW20S PACK	2	20	10	8.0 - 11.8	12.9 - 15.8	0.90/1.25	22.0	24.4	16.0
BW20 PACK	2	20	10	11.0 - 13.8	15.5 - 20.8	0.90/1.25	27.0	30.0	18.0
BW25 PACK	2	25	10	13.0 - 19.8	20.3 - 27.5	1.25/1.60	34.0	37.7	20.0
BW32 PACK	2	32	10	19.0 - 26.4	26.7 - 33.5	1.60/2.00	41.0	45.5	21.0
BW40 PACK	1	40	15	25.0 - 32.4	33.0 - 40.9	1.60/2.00	50.0	55.5	23.0
BW50S PACK	1	50	15	31.5 - 38.0	39.4 - 46.3	2.00/2.50	60.0	66.6	24.5
BW50 PACK	1	50	15	36.5 - 44.0	45.7 - 52.6	2.00/2.50	65.0	72.1	24.5
BW63S PACK	1	63	15	42.5 - 49.0	52.1 - 61.5	2.50	75.0	83.2	29.0
BW63 PACK	1	63	15	48.5 - 55.5	58.4 - 65.3	2.50	80.0	88.8	29.0
BW75S PACK	1	75	20	54.5 - 62.0	64.8 - 73.0	2.50	90.0	100.0	33.0
BW75 PACK	1	75	20	60.5 - 67.0	71.0 - 78.0	2.50	95.0	105.4	33.0
BW90 PACK	1	*90	20	66.0 - 79.0	77.0 - 90.0	2.50/3.15	106.0	117.6	37.0

All dimensions are in mm. * Not included in BS 6121

Pack content: Gland(s), steel locknut(s), earth tag(s) and shroud(s).

Packs are also available with Low-smoke LSF shroud or Low Smoke Zero-halogen LSZH shroud - Suffix above part numbers with either -LSF or -LSZH