

A2 Brass Cable Gland Pack

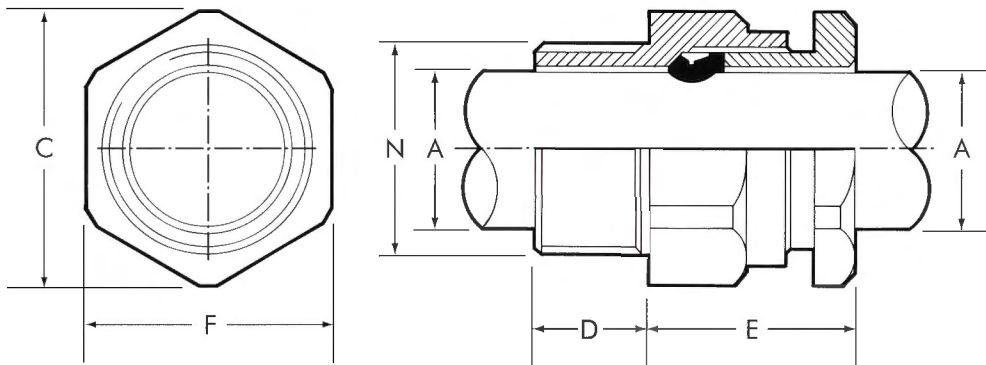
CE

Application: Brass indoor and outdoor industrial gland suitable for all types of unarmoured cable, providing a seal on the outer sheath.

Operating Temperature (standard seals): -20°C to +80°C

Ingress Protection: IP66 EN60529

Approval: BS EN 62444 : 2013



Part No.	Pack Quantity	Entry Thread		Cable Acceptance Details		Hexagonal Details		Assembled Length E
		Diameter N	Length D	Minimum A	Maximum A	A/F F	A/C C	
A2/2016 PACK	2	20	12	3.5	9.0	17.0	18.8	17.0
A2/20S PACK	2	20	12	8.0	11.8	19.0	21.0	18.0
A2/20 PACK	2	20	12	11.0	13.8	21.0	23.3	18.0
A2/25 PACK	2	25	12	13.0	19.8	27.0	30.0	20.0
A2/32 PACK	2	32	12	19.0	26.4	35.0	38.8	24.0
A2/40 PACK	1	40	15	25.0	32.4	42.0	46.6	27.0
A2/50S PACK	1	50	15	31.5	38.0	50.0	55.5	28.0
A2/50 PACK	1	50	15	37.0	43.5	55.0	61.0	28.0
A2/63S PACK	1	63	15	42.5	49.0	63.0	70.0	30.0
A2/63 PACK	1	63	15	48.5	55.5	70.0	77.7	30.0
A2/75S PACK	1	75	15	54.5	62.0	75.0	83.2	32.0
A2/75 PACK	1	75	15	60.5	67.0	80.0	88.8	32.0
A2/90 PACK*	1	90	15	70.0	79.0	95.0	105.4	34.0

All dimensions are in mm. *Not included in BS 6121

Pack content: Gland(s), steel locknut(s) and shroud(s).