

Cable Protection Accessories

Grommets

Open & Closed Type - GRO/GRC Range

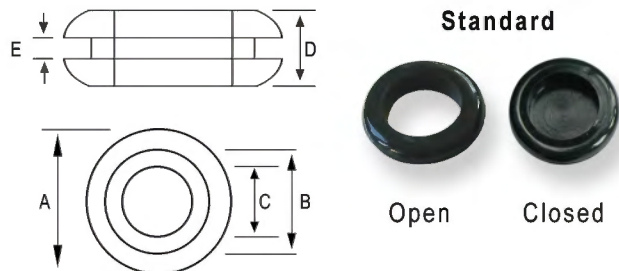


- Low cost protection for wires and cables passing through metal panels
- Quick and easy to install
- Closed hole versions available for later insertion of cables or wires
- Material: PVC

- Colour: Black
- Hardness: 48 to 55 Shore A
- RoHS Compliant

Open/Closed Grommets

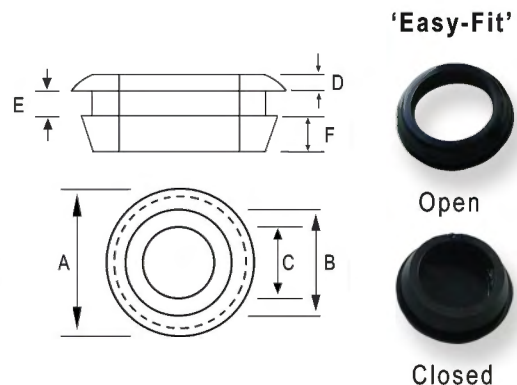
Part No.		Dimensions mm				
Open	Closed	A	B	C	D	E
GRO20	GRC20	23.7	20.1	15.5	6.1	1.7
GRO25	GRC25	29.9	25.1	18.9	7.2	1.5
GRO32		38.2	31.7	23.5	8.3	1.6
	GRC32	38.0	31.8	23.5	7.0	1.6



Pack Quantity: 100

Open/Closed 'Easy-Fit' Grommets

Part No.		Dimensions mm					
Open	Closed	A	B	C	D	E	F
GRO20-EF	GRC20-EF	23.9	19.6	15.5	2.1	2.0	3.9
GRO25-EF	GRC25-EF	30.0	26.0	20.8	2.4	2.4	3.8



Pack Quantity: 100

Selekt-A-Box™ version pack also available - see page 29.

Grommet Strip

Flexible polyethylene strip ideal for protecting sharp edges of panels, cut-outs or holes - ensuring a good grip of panels with a thickness up to 5.5mm without the need of adhesives or special tools.

- Operating temperature: -60°C to +55°C
- Colour: Natural

Part No.	To suit plate thickness (mm)	Part No.	To suit plate thickness (mm)
GS1012-25	1.0 - 1.2	GS2024-25	2.0 - 2.4
GS1216-25	1.2 - 1.6	GS2432-25	2.4 - 3.2
GS1620-25	1.6 - 2.0	GS4555-25	4.5 - 5.5

Pack Quantity: 25 metres

