

GXD Premier Range Brass Cable Gland Pack For Braided Type Cable

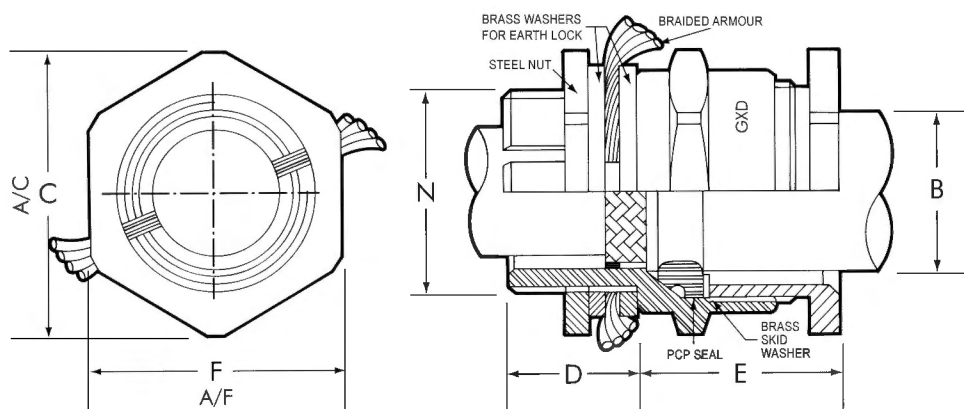


Application: Brass indoor and outdoor gland suitable for all types of flexible wire braided cable such as CY and SY. The gland provides an environmental seal on the cable outer sheath and internal mechanical retention of wire braid for electrical continuity. Gland complete with steel locknuts and brass washers.

Operating Temperature (standard seals): -20°C to +80°C

Ingress Protection: IP66 EN60529

Approval: BS EN 62444:2013



Part No.	Pack Quantity	Entry Thread		Cable Acceptance Details		Hexagonal Details		Assembled Length
		Diameter N	Length D	Minimum B	Maximum B	A/F F	A/C C	
GXD20S PACK	2	20	15	7.0	11.6	24.0	26.9	18.0
GXD20 PACK	2	20	15	10.5	13.6	27.0	30.0	20.0
GXD25 PACK	2	25	15	12.5	19.8	36.0	40.3	26.0
GXD32 PACK	2	32	15	18.5	26.3	41.0	45.6	26.0
GXD40 PACK	1	40	15	25.0	32.1	50.0	55.8	27.0
GXD50S PACK	1	50	15	30.5	38.1	55.0	61.5	27.0
GXD50 PACK	1	50	15	36.5	44.0	60.0	67.0	27.0

All dimensions are in mm.

Other sizes available on request.

Pack content: Gland(s), locknut(s), shroud(s) and brass washer(s).

Accessories available: Earth Tags and Entry Washers.