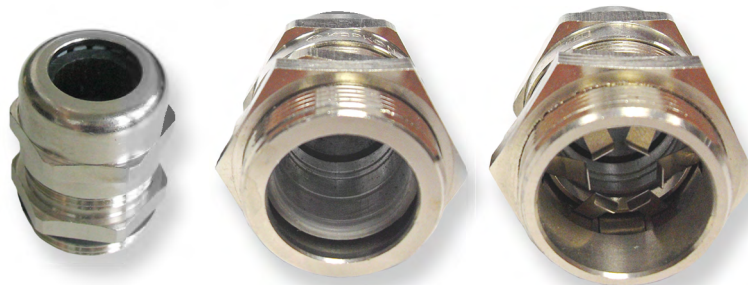


Cable Glands

EMC Glands for Electromagnetical Purposes



EMC

EMC Grip Range

Applications:

- Suitable for the shielding of cable for electromagnetical purposes.
- Cable gland with neoprene sealing-ring and polyamide traction relief clamping insert.
- Supplied with lock-nut and neoprene O-ring on entry thread.

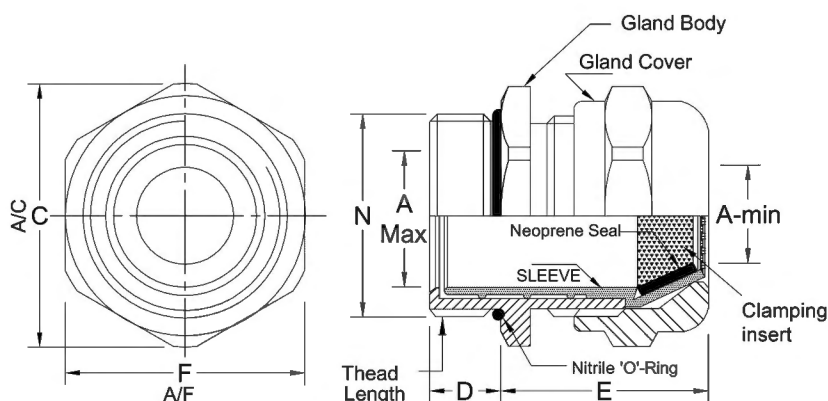
Approval: BS EN 50262:1999

Ingress Protection: IP68 EN60529

Temperature Rating: -20°C to +100°C

Pressure Rating: 5 bar

Finish: Bright nickel-plated



EMC Range

Part No.	Entry Thread		Cable Acceptance Details		Hexagonal Details		Assembled Length E
	Thread N	Length D	Minimum A	Maximum A	A/F F	A/C C	
EMC16NP	M16 x 1.5	10.0	5.5	9.0	18.0	20.0	17.0
EMC20NP	M20 x 1.5	10.0	8.5	12.5	22.0	24.4	18.0
EMC25NP	M25 x 1.5	10.0	12.0	16.5	27.0	30.0	20.0
EMC32NP	M32 x 1.5	13.0	16.0	21.0	34.0	37.7	23.0
EMC40NP	M40 x 1.5	13.0	19.5	27.0	43.0	47.7	29.0
EMC50NP	M50 x 1.5	14.0	25.0	34.0	55.0	61.0	34.0
EMC63NP	M63 x 1.5	14.0	32.0	42.0	68.0	75.5	35.0

All dimensions are in mm.

EMC LP Range on following page

