

CHANNEL

LIGHTING & SAFETY SYSTEMS

Brook 2



LED emergency luminaire
from Channel Safety Systems



LED Emergency Luminaire

The Brook 2 LED bulkhead can be used either externally or internally owing to its IP65 rating.

Now with increased light output!

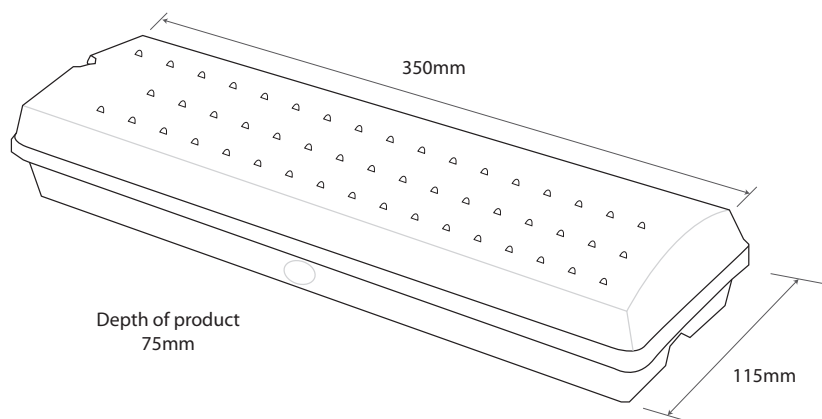
Mains LM output	320Lm
Emergency LM output	210Lm
Mains Wattage	7.3w
Battery	Ni-cd 3.6v 2000mAh
LED	20x SMD 5730

Features

- Approximately twice the light output but using 66% less power than a typical 8W fluorescent bulkhead.
- Long life LED technology
- Maintained or non-maintained operation
- Optional self-test operation to BS EN 62034
- Polycarbonate construction with clear diffuser
- Hinged gear tray for easy installation
- Cable entry: rear, end & side of fitting
- Self-test option available
- Easy to install
- Low environmental impact
- Low running costs
- Low maintenance
- Meets BS EN 60598-2-22 and other relevant standards



Hinged gear tray for easy installation



PHOTOMETRIC SPACING DATA (1 lux)

Mounting height	↔	↔	↔	↔
2.5m	2.6	7.7	8.9	2.9
4m	2.6	7.9	8.9	2.7

SPECIFICATIONS

Light Source	20x LED SMD 5730
IP Rating	IP65
Emergency Duration	3 hours (minimum)
Mains Voltage	230V 50Hz ± 10%
Mains Current (max)	75mA (max) 40mA quiescent (18W)
Recharge Period	Less than 24 hours
Charge Indicator	Integral green LED
Changeover Voltage	As per the requirements of BS EN 60598-2-22
Temperature Range	0°C to 40°C
Weight	950g
Battery	3.6V 1.5Ah Nickel Cadmium

PRODUCT CODE	DESCRIPTION
E/BK/M3/LED/2	Brook self contained 3 hour maintained emergency LED light
E/BK/M3/LED/2/ST	Brook self contained, self-test 3 hour maintained emergency LED light
E/BZ/KIT/BROOK/WH	Brook semi-recessing bezel
E/PIC/ME/LED/PACK	Brook Pictogram Pack AD/AL/AR/AU
B/BATT/BROOK/2	Brook Battery- 3 cell NiCd



www.channelsafety.co.uk

Tel: 0845 884 7000

Email: sales@channelsafety.co.uk

Errors & omissions excluded. Specification is subject to change without notice.

revision 013-1