

CHANNEL

LIGHTING & SAFETY SYSTEMS

Camber



LED emergency exit signage
from Channel Safety Systems



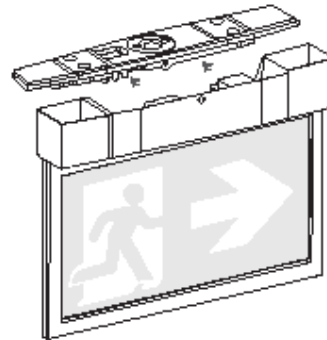
Camber

LED Emergency Exit Sign

Camber is a comprehensive, stylish premium range of matching hanging, surface and wall mounted LED emergency luminaires.

Features

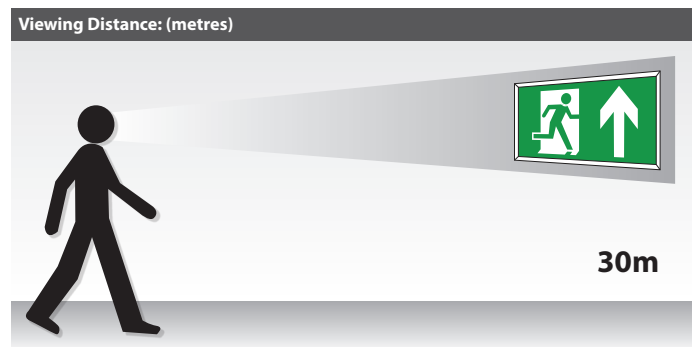
- Comprehensive range of hanging, surface and wall mounted luminaires
- Compact and decorative design
- At least 50% energy saving over conventional fluorescent
- Choice of maintained 3 hour emergency backup or self-test versions
- Robust polycarbonate housing
- Quick connection and easy installation
- Bright SMD 3528 LED lamps
- 30m viewing distance
- Meets BS EN 60598-2-22 and other relevant standards



Camber is easy to install with a modular design connection.

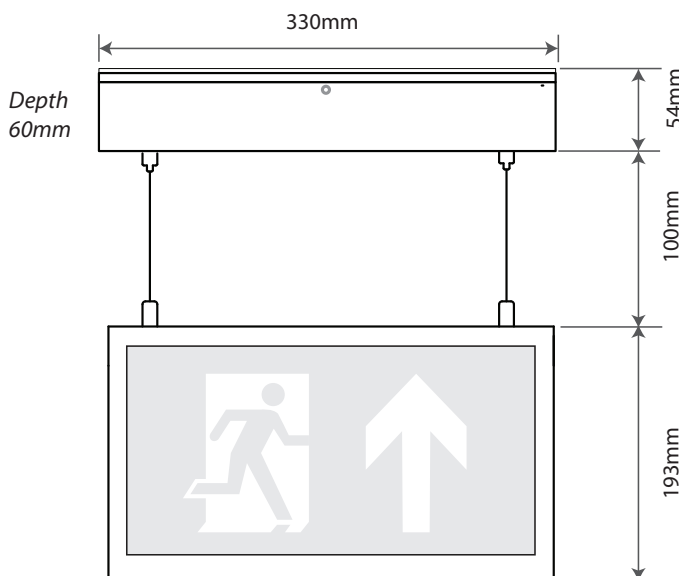


SPECIFICATIONS	
Housing material	Polycarbonate
Standard colour	White
Legends	Arrow left, right, up & down supplied with fitting
Viewing Distance	30m
Light source	SMD 3528 LED (4W)
Lumen output	50 lumens
Protection category	IP20
Supply voltage	240V AC 50Hz
Battery	3 hour NiCd
Operating temperature	0-40°C
Weight	1.3Kg



Please note image shown is not to scale and is for pictorial reference only

Hanging Fitting



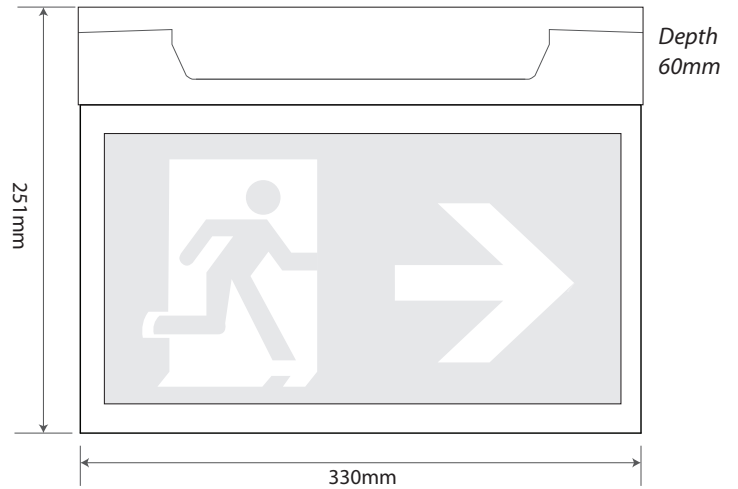
PRODUCT CODE	DESCRIPTION
E/CAMBER/HANG	Camber LED hanging exit sign 3hr maintained complete with pictogram pack (arrows left/right and up)
E/CAMBER/HANG/ST	Camber LED hanging exit sign 3hr maintained self-test complete with pictogram pack (arrows left/right and up)





LED

Surface Fitting

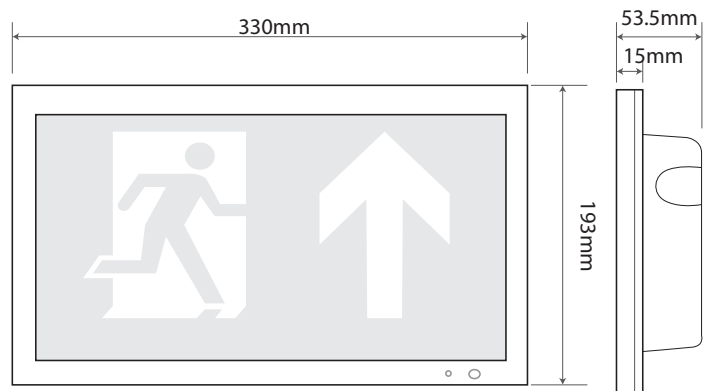


PRODUCT CODE	DESCRIPTION
E/CAMBER/SURF	Camber LED surface exit sign 3hr maintained complete with pictogram pack (arrows left/right and up)
E/CAMBER/SURF/ST	Camber LED surface exit sign 3hr maintained self-test complete with pictogram pack (arrows left/right and up)



LED

Wall Fitting



PRODUCT CODE	DESCRIPTION
E/CAMBER/WALL	Camber LED wall mounted exit sign 3hr maintained complete with pictogram pack (arrows left/right and up)
E/CAMBER/WALL/ST	Camber LED wall mounted exit sign 3hr maintained self-test complete with pictogram pack (arrows left/right and up)

