



ATRILED/G

Tridon LED CCT Grey - 8W



Features

Die-cast aluminium construction with opal polycarbonate diffuser.

Exceeds performance of 16W TC-DD.

Internal CCT selector switch allows the installer to choose the CCT between 3000K and 4000K at the point of installation.

Rear fixing points allowing the option for BESA box mounting.

Horizontal side pilot holes accepting 20mm surface conduit entries.

Tamper-proof stainless steel allen key screws.

Microwave sensor and Photocell options available.

LED lifespan L70 60,000 hours.

Non-dimmable.

General Information

Lamp Type	LED
Colour / Finish	Graphite
IP Rating	IP65
IK Rating	IK09
Class Protection	1
Internal / External	External
Surface / Recessed / Suspended	Surface
Warranty (Years)	5
CE Mark	Yes
Width (mm)	180
Height (mm)	320
Depth (mm)	105

Technical Information

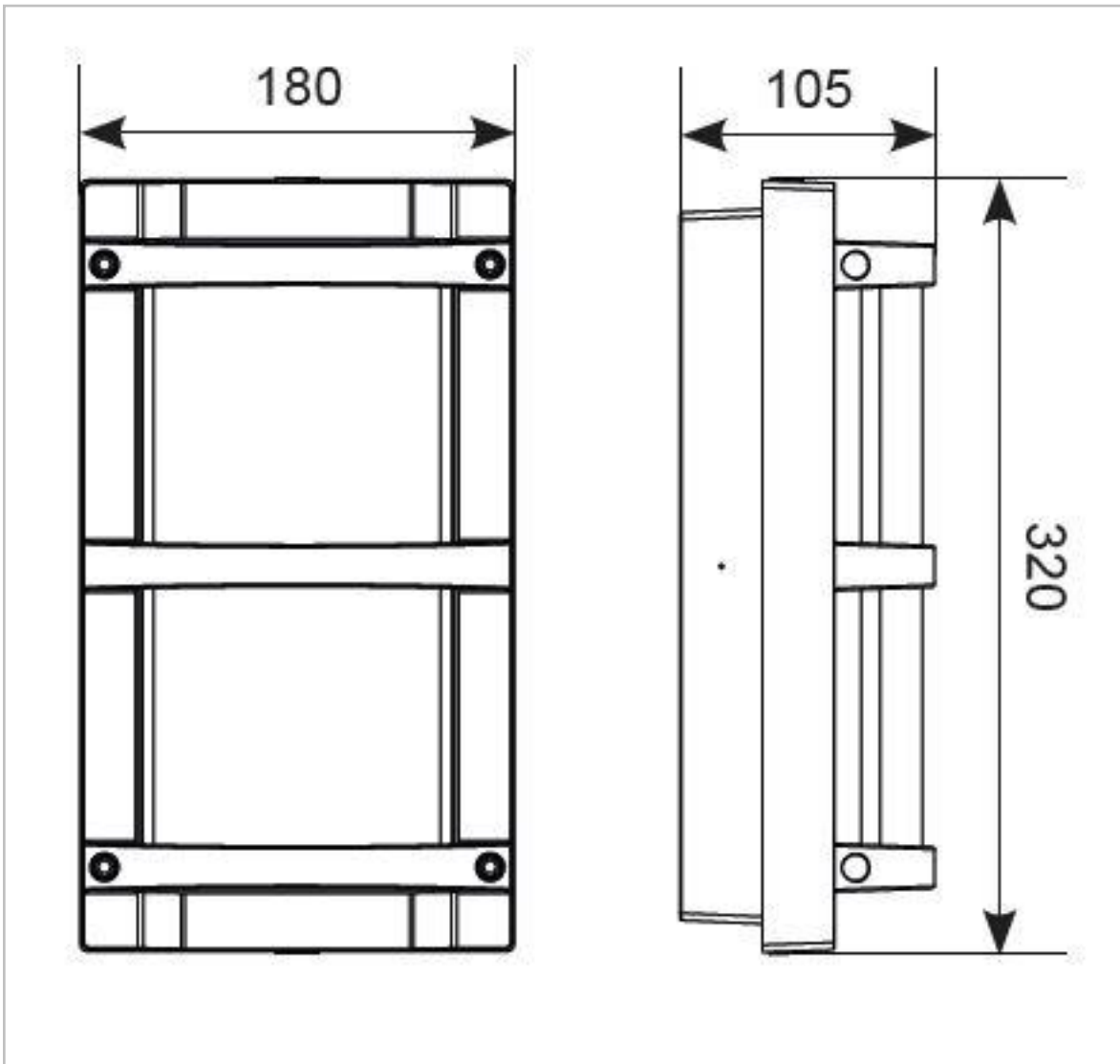
Wattage	8W
Lumens Delivered	701lm(Cool White), 695lm(Warm White)
Lm/W	88lm(Cool White), 87lm(Warm White)
CRI	Ra 80
CCT	3000/4000K
Input	220-240V
Hertz	50/60Hz
Operating Temp	-20°C to 25°C

Technical Data - ETIM - Ceiling-/wall luminaire (EC002892)

Suitable for wall mounting	Yes
Suitable for suspended mounting	No
Suitable for ceiling mounting	No
Suitable for built-in mounting	No
Suitable for surface mounting	Yes
With light source	Yes
Suitable for number of lamps	1
Material housing	Aluminium
Colour housing	Other
Material cover	Plastic, opal
Nominal voltage	220-240 V
Control gear included	Yes
No dim function	Yes
Degree of protection (IP)	IP65
Impact strength	IK09
Protection class	I
Suitable for emergency lighting	No
With movement sensor	No
With light sensor	No
Max. system power	8 W
Colour of light	White
Colour temperature	3000-4000 K
Colour rendering index CRI	80-89
Width	180 mm
Height/depth	105 mm

Length

320 mm



Datasheet generated from <https://onetimepim.com> last updated Tuesday, June 23, 2020 10:34:11 AM