

Selva LED Range

Exterior Wall Lighting



Data Sheet

Product Information

The Selva LED wall lights are suitable for highlighting wall features for commercial and domestic applications. Also available in 2 versions a down light and an Up/Down light.

Product Features

- 2 year warranty
- Class I
- IP65
- 45° Beam angle
- CRI: Ra80
- 5w 3000K LED head
- Non-dimmable
- Life Expectancy up to 25,000hrs

KSR1321 – Selva Up & Down



Product Specification

Product Code	Product Description	Wattage (W)	CCT (K)	Lumens (lm)	CRI (Ra)	Energy Efficiency Class	Protection Class
KSR1320	Selva 5w 3000K LED Single Wall Light	5w	3000	245	80	A+	I
KSR1321	Selva 2x5w 3000K LED Up & Down Wall Light	10w	3000	412	80	A+	I

Technical Data	Selva Single	Selva Up & Down
Nominal voltage	220~240VAC	220~240VAC
Operating frequency	50Hz	50Hz
Circuit Wattage	5w	10w
Circuit Current	0.018A	0.036A
Driver mA Rating	210mA	210mA
PFC	0.6	0.6
In Rush Current	0.35A Max Peak	0.4A Max Peak
Ambient temperature range	-10°C to +30°C	-10°C to +30°C
IP rating	65	65

Construction

Body: Aluminium
Lens: Glass

Standards

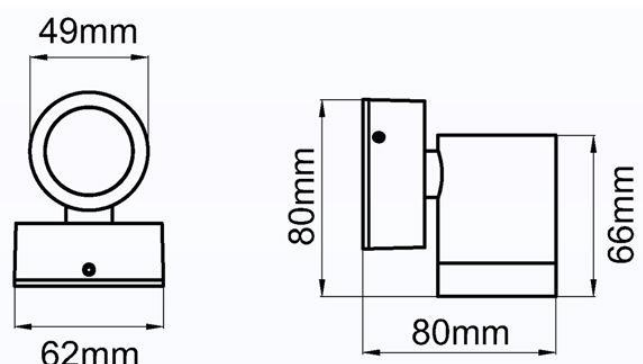
BSEN60598-1:2015 Luminaires – Part 1: General requirements and tests

In Conformity with

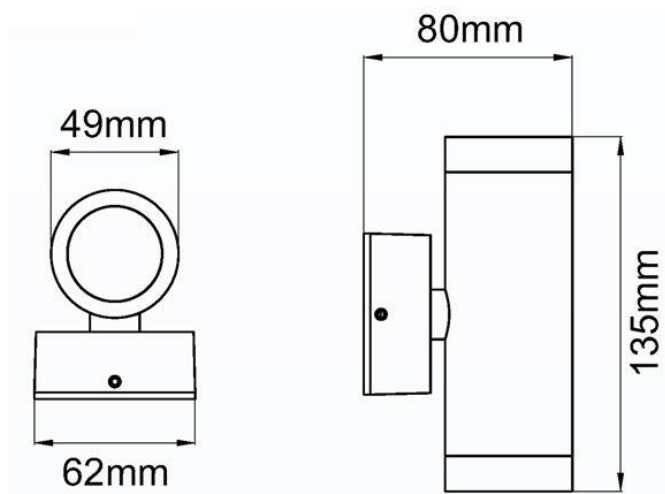
LVD Low voltage directive 2014/35/EU
EMC Electromagnetic compatibility directive 2014/30/EU
ERP Energy related products directive 2009/125/EC
RoHS Restriction of hazardous substances 2011/65/EU

Product Dimensions

KSR1320



KSR1321



KSR Lighting is constantly developing and improving its products. For this reason, all product descriptions in this data sheet are intended as a general guide, and KSR may change specifications from time to time in the interest of product development, without prior notification or public announcement. All descriptions in this data sheet present only general particulars of the goods to which they refer and shall not form part of any contract. Data in this guide has been obtained in controlled experimental conditions. However, KSR Lighting cannot accept any liability arising from the reliance on such data to the extent permitted.