

# Monda LED Bulkhead

*Exterior Bulkheads*



## Product Information

The Monda LED Bulkheads are available with 3 diffuser options Clear, Opal and Red making them a versatile range for external applications.

## Product Features

- 2 year warranty
- IP65/IK08
- Class I
- 7w 4000K LED
- Available to order with PIR sensor
- Up to CRI: Ra85 using the Opal Diffuser option
- Multiple entry Points



KSR1170 CL



KSR1170 OP



KSR1170 RD

# Product Specification

Product Code	Product Description	Wattage (W)	CCT (K)	Lumens (lm)	CRI (Ra)	Energy Efficiency Class	Protection Class
KSR1170 CL	Monda 7w 4000K LED Polycarbonate Bulkhead with Clear Diffuser	7w	4000	517	84	A+	I
KSR1170 OP	Monda 7w 4000K LED Polycarbonate Bulkhead with Opal Diffuser	7w	4000	366	85	A+	I
KSR1170 RD	Monda 7w 4000K LED Polycarbonate Bulkhead with Red Diffuser	7w	4000	70	69	A+	I

Nominal voltage	220~240VAC
Operating frequency	50/60Hz
Circuit Wattage	7w including driver losses
Circuit Current	0.04
Driver mA Rating	350mA
PFC	0.5
In Rush Current	0.369A Max Peak
Ambient temperature range	-10°C to +30°C
IP rating	65

## Construction

Body: Polycarbonate  
Lens: Polycarbonate

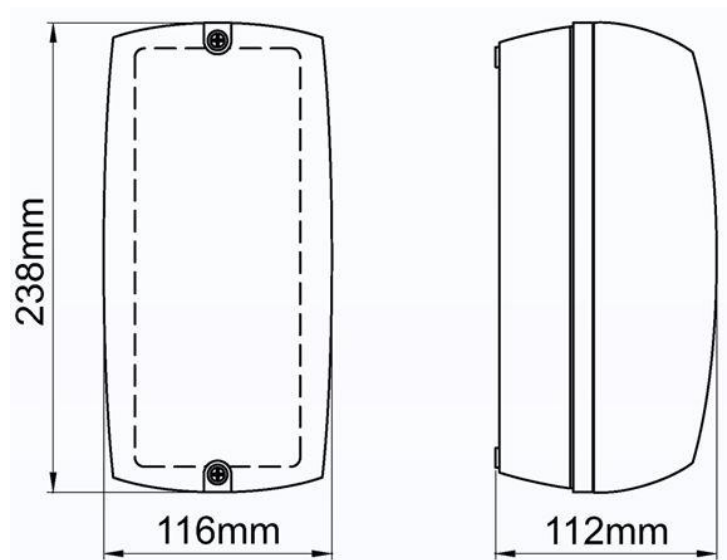
## Standards

BSEN60598-1:2015 Luminaires – Part 1: General requirements and tests

## In Conformity with

LVD Low voltage directive 2014/35/EU  
EMC Electromagnetic compatibility directive 2014/30/EU  
ERP Energy related products directive 2009/125/EC  
RoHS Restriction of hazardous substances 2011/65/EU

## Product Dimensions



KSR Lighting is constantly developing and improving its products. For this reason, all product descriptions in this data sheet are intended as a general guide, and KSR may change specifications from time to time in the interest of product development, without prior notification or public announcement. All descriptions in this data sheet present only general particulars of the goods to which they refer and shall not form part of any contract. Data in this guide has been obtained in controlled experimental conditions. However, KSR Lighting cannot accept any liability arising from the reliance on such data to the extent permitted.