



AHELED/OB/PIR

Helder LED Oval Bulkhead 14W Oval Black PIR



Features

All polycarbonate oval bulkhead for external applications.

fast loop-in / loop-out connections.

Comparable performance to 28W TC-DD.

Body options of black or white.

Polycarbonate opal diffuser.

LED lifespan L70 25,000 hours.

Non-dimmable.

General Information

Lamp Type	LED
Colour / Finish	Black
IP Rating	IP54
IK Rating	IK09
Class Protection	2
Internal / External	External
Surface / Recessed / Suspended	Surface
Warranty (Years)	2
CE Mark	Yes
Length (mm)	212
Width (mm)	119
Depth (mm)	60.5

Technical Information

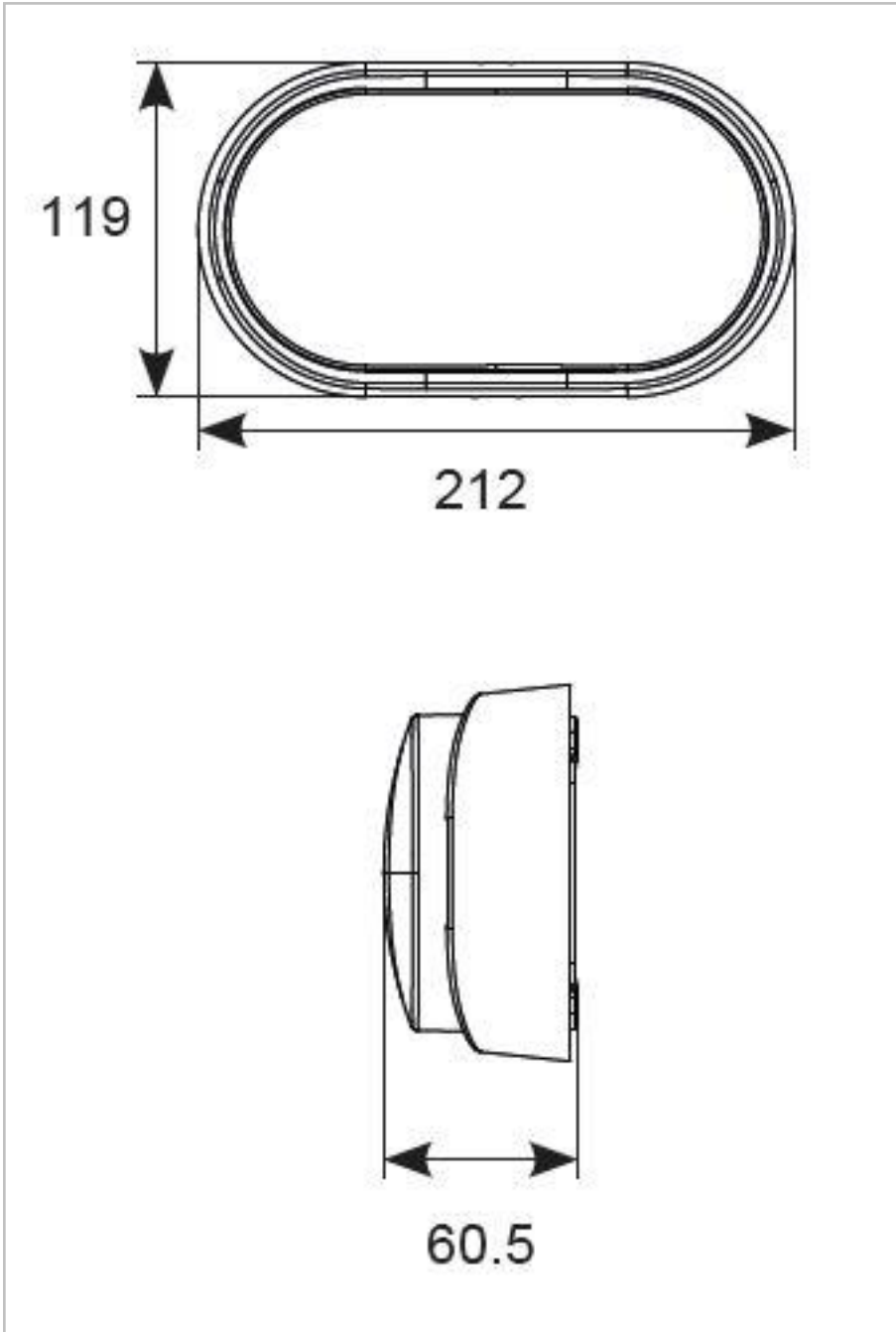
Wattage	14W
Lumens Delivered	925lm
Lm/W	66lm
CRI	Ra 80
CCT	4000K
Input	220-240V
Hertz	50/60Hz
Operating Temp	-20°C to 40°C

Technical Data - ETIM - Ceiling-/wall luminaire (EC002892)

Suitable for wall mounting	Yes
Suitable for suspended mounting	No
Suitable for ceiling mounting	Yes
Suitable for built-in mounting	No
Suitable for surface mounting	Yes
With light source	Yes
Suitable for number of lamps	1
Material housing	Plastic
Colour housing	Black
Nominal voltage	220-240 V
Control gear included	Yes
No dim function	Yes
Degree of protection (IP)	IP54
Impact strength	IK09
Protection class	II
Suitable for emergency lighting	No
With movement sensor	Yes
With light sensor	No
Max. system power	14 W
Rated luminous flux acc. IEC 62722-2-1	925 lm
Colour of light	White
Colour temperature	4000-4000 K
Colour rendering index CRI	80-89
Luminaire efficacy	66 lm/W
Width	119 mm

Height/depth 60.5 mm

Length 212 mm



Datasheet generated from <https://onetimepim.com> last updated Tuesday, June 23, 2020 10:36:07 AM