



## AVFLED50/PC

Vaste LED Floodlight 50W Photocell



## Features

Modern architectural slim die-cast LED floodlight.

50W comparable light output to 70W HQI-TS.

Die-Cast construction and heat sink design providing optimised thermal characteristics for optimum LED life and performance.

Graphite textured paint finish.

Pre-wired with 1 metre of rubber insulated cable for ease of installation.

LED lifespan L70 30,000 hours.

Non-dimmable.

## General Information

Lamp Type	LED
Colour / Finish	Graphite
Photocell	Yes
IP Rating	IP65
IK Rating	IK08
Class Protection	1
Internal / External	Internal/External
Surface / Recessed / Suspended	Surface
Warranty (Years)	5
CE Mark	Yes
Width (mm)	220
Height (mm)	253
Depth (mm)	58

## Technical Information

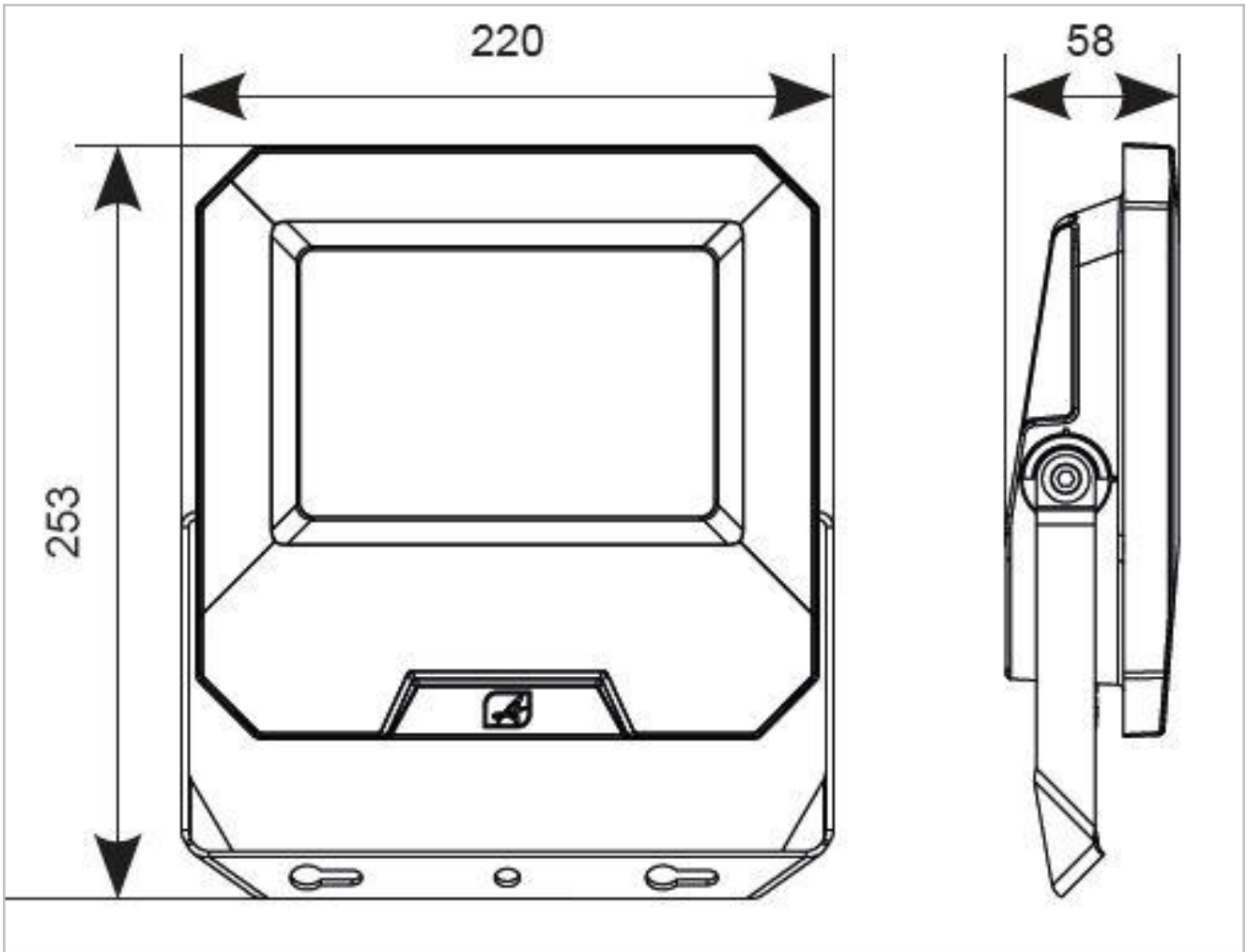
Wattage	50W
Lumens Delivered	4822lm
Lm/W	96lm
CRI	Ra 80
CCT	4000k
Input	220-240V
Hertz	50/60Hz
Operating Temp	-20°C to 25°C

## Technical Data - ETIM - Downlight/spot/floodlight (EC001744)

Suitable for surface mounting	Yes
Suitable for built-in mounting	No
Suitable for wall mounting	Yes
Suitable for suspended mounting	No
Suitable for ceiling mounting	No
Suitable for traverse mounting	No
Suitable for light-track mounting	No
Adjustability	Swivelling
With movement sensor	No
With light sensor	Yes
With light source	Yes
Colour housing	Other
Nominal voltage	220-240 V
Control gear included	Yes
No dim function	Yes
Degree of protection (IP)	IP65
Impact strength	IK08
Protection class	I
Max. system power	50 W
Colour of light	White
Colour temperature	4000-4000 K
Colour rendering index CRI	80-89
Rated luminous flux acc. IEC 62722-2-1	4822 lm
Lamp efficacy	96 lm/W
Width	58 mm

Height/depth 253 mm

Length 220 mm



Datasheet generated from <https://onetimepim.com> last updated Tuesday, June 23, 2020 10:37:15 AM