

Ottagono Lantern

Lanterns



Data Sheet

Product Information

The Ottagono Wall/Ceiling lantern is a cost-effective Retro style lantern suitable for a E27 lamp or a LED retrofit lamp.

Ideal for Internal and External Domestic applications

Product Features

- 1 year warranty
- Class II
- IP44
- E27 23W max.
- Suitable for E27 LED Retrofit lamps
- Suitable for wall mounting
- Product supplied less lamp

Product Specification

Product Code	Product Description	Wattage (W)	Lamp Cap	Energy Efficiency Class	Protection Class
KSR3260	Ottagono Wall/Ceiling Lantern	23w Max	E27	D	II

Nominal voltage	220~240VAC
Operating frequency	50-60Hz
Circuit Power	23w Max E27 Lamp
IP rating	44

Construction

Body: Cast Aluminium
Diffuser: Transparent Polycarbonate

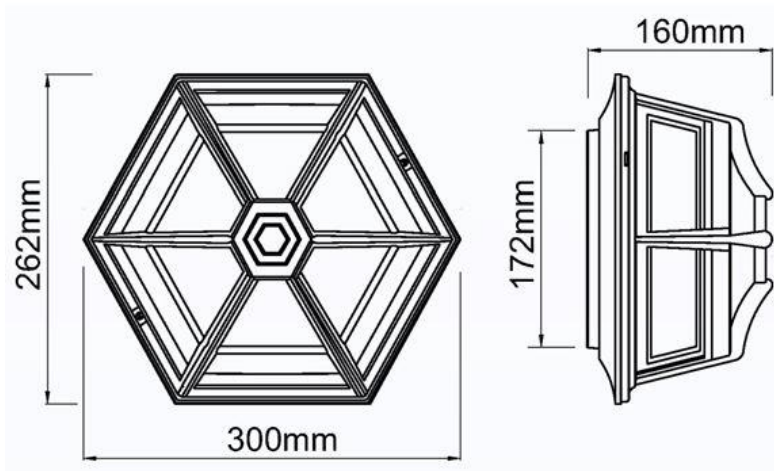
Standards

BSEN60598-1:2015 Luminaires – Part 1: General requirements and tests

In Conformity with

LVD Low voltage directive 2014/35/EU
RoHS Restriction of hazardous substances 2011/65/EU

Product Dimensions



KSR Lighting is constantly developing and improving its products. For this reason, all product descriptions in this data sheet are intended as a general guide, and KSR may change specifications from time to time in the interest of product development, without prior notification or public announcement. All descriptions in this data sheet present only general particulars of the goods to which they refer and shall not form part of any contract. Data in this guide has been obtained in controlled experimental conditions. However, KSR Lighting cannot accept any liability arising from the reliance on such data to the extent permitted.