

Manta LED Wall Lantern

Lanterns



Data Sheet

Product Information

The Manta LED Wall lanterns are a Modern style lantern range available with or without PIR. With its full polycarbonate construction its ideal for High Saline Applications

This range is perfect for domestic and external applications in coastal regions.

Product Features

- 2 year warranty
- IP44
- Class II
- CRI: ra84
- 7w 4000K LED options
- Suitable for High Saline Areas
- Life expectancy up to 30,000hrs
- Available in Black and White



Product Specification

Product Code	Product Description	Wattage (W)	CCT (K)	Lumens (lm)	CRI (Ra)	Energy Efficiency Class	Protection Class
KSR1153	Manta 7w LED Upward Wall Lantern	7	4000	370	84	A+	II
KSR1154	Manta 7w LED Upward Lantern with PIR	7	4000	370	84	A+	II

Nominal voltage	220~240VAC
Operating frequency	50Hz
Circuit Power	7w (including driver losses)
Circuit Current	0.03A
Driver Current Rating	200mA
PFC	0.8
In Rush Current	0.50 A Max Peak
Temperature Range	-20°c to +40 °c
IP rating	44

PIR Specification

Detection Range	130°
Reach	0-12m
Time Settings	5 sec – 5min adjustable
Lux control	5-2000lux

Construction

Body: Polycarbonate
Diffuser: Opal Polycarbonate

Standards

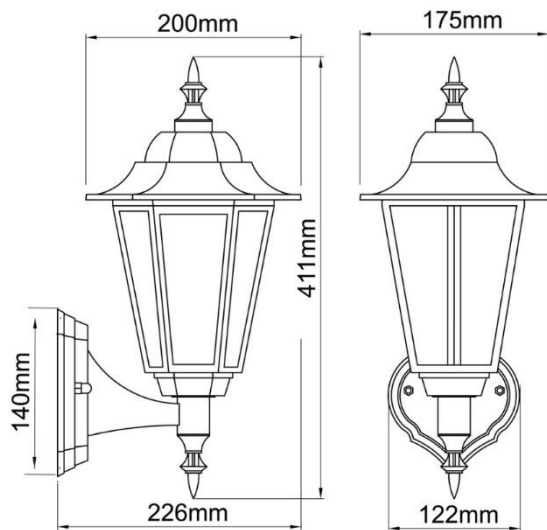
BSEN60598-1:2015 Luminaires – Part 1: General requirements and tests

In Conformity with

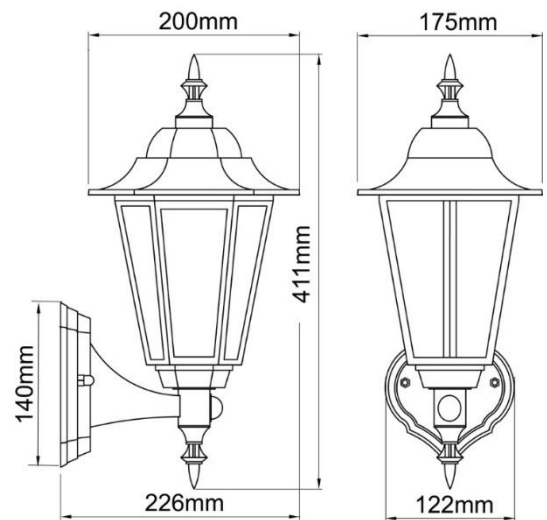
LVD Low voltage directive 2014/35/EU
RoHS Restriction of hazardous substances 2011/65/EU
ERP Energy related products directive 2009/125/EC
RoHS Restriction of hazardous substances 2011/65/EU

Product Dimensions

KSR1153



KSR1154



KSR Lighting is constantly developing and improving its products. For this reason, all product descriptions in this data sheet are intended as a general guide, and KSR may change specifications from time to time in the interest of product development, without prior notification or public announcement. All descriptions in this data sheet present only general particulars of the goods to which they refer and shall not form part of any contract. Data in this guide has been obtained in controlled experimental conditions. However, KSR Lighting cannot accept any liability arising from the reliance on such data to the extent permitted