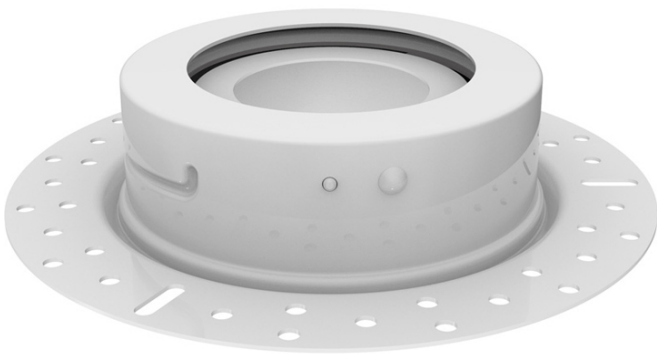




## APRILEDP/TRIM



## Features

Trimless bezel kit designed for use with: APRILEDP/OCTOW, APRILEDP/CW, APRILEDP/WW, APRILEDP/CCT

Steep baffle construction recesses the downlight providing a deep cut-off angle ensuring maximum glare control and visual comfort

Intelligent 2 part kit design is accessible from underneath the ceiling both during and after installation. The main body can be fixed to the ceiling whilst the internal 'push to release' main cone can be attached afterwards. This allows for quicker and easier installation and product maintenance

Suitable for residential and commercial applications, providing an architectural and modern appearance

Pre-drilled screw holes ensure a quick and easy installation

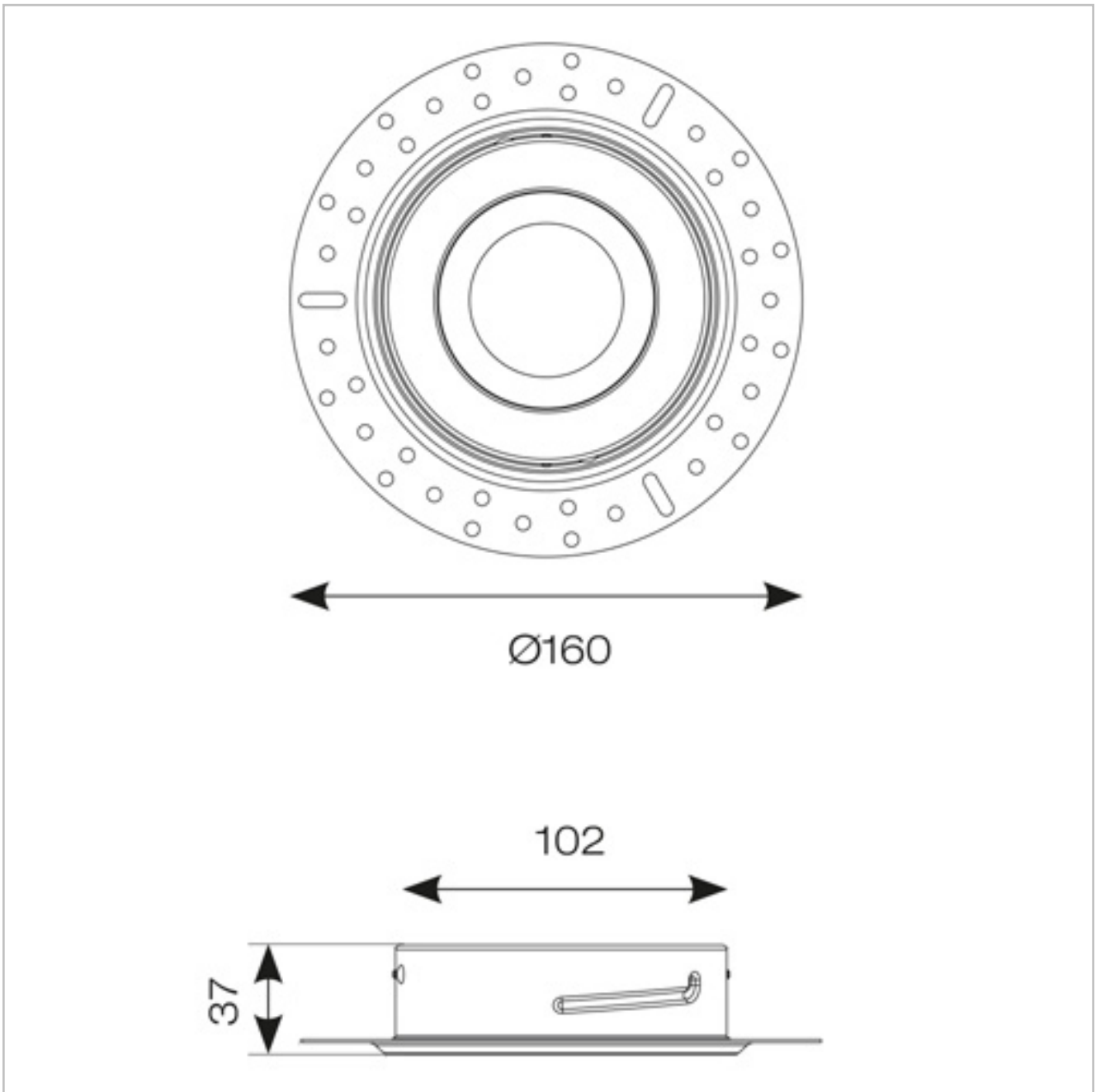
Wide design allows suitability for retro-fit applications replacing hole cut-outs up to 160mm

# General Information

Internal / External Internal

Surface / Recessed / Suspended Recessed

CE Mark Yes



Datasheet generated from <https://onetimepim.com> last updated Friday, May 21, 2021 12:40:57 PM