

The TTR and S ranges

The TTR and S ranges can be used with the Dimplex radio frequency and FSC runback controllers.

TTR features

- A range of five models.
- Choice of sizes and finishes.
- Water glycol filled.
- Larger models will help to take the chill off a small bathroom or cloakroom.
- Mains neon indicator.
- Splash-proof (IPX5 rated) for use in bathrooms and other wet areas.
- Supplied with wall-mounting brackets as standard.

S features

- Tubular steel towel rail.
- Durable white stove enamel (S50W) or chrome plated (S50C).
- S50W provides lower surface temperature.
- Suitable for wall mounting only.
- Splash-proof (IPX4 rated) for use in bathrooms and other wet areas.



Model TTRS120W

What a difference warm, dry towels make. With a Dimplex towel rail you can have them all the time, but at amazingly low running costs.

The popular S range is ideal for drying and airing small towels in areas such as kitchens, cloakrooms and en suites.

The low wattage element provides an even surface temperature and very economical operation.

TTR range towel rails are permanently liquid filled for maintenance free operation. They can be mounted for left or right hand cable entry.

No plumbing. No problems. And they can be left switched on indefinitely.

Controls

See page 53 for control options.



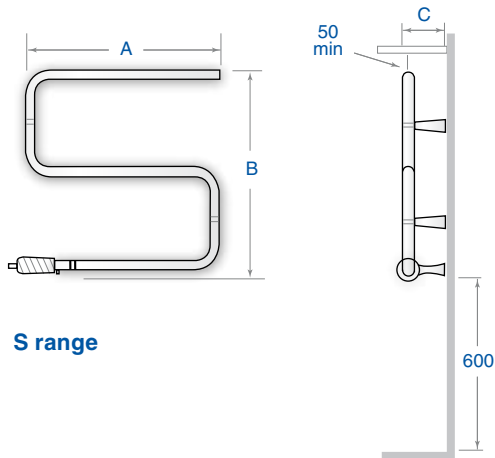
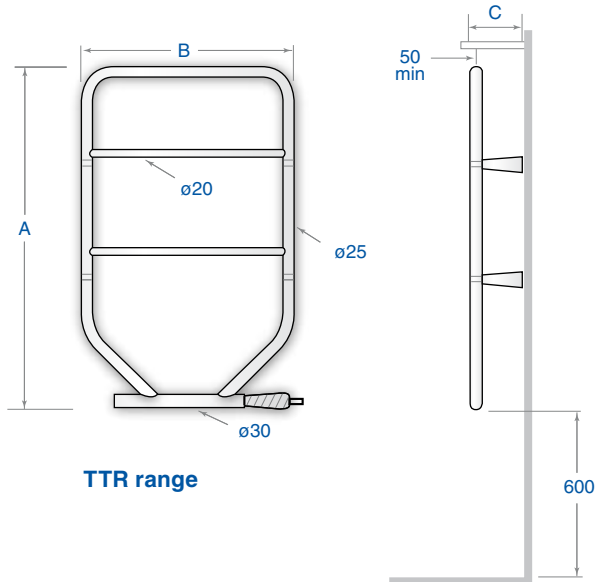
Model S50C



Model TTRC130W

Technical information

Main and fixing dimensions (mm)



Model	Loading (W)	Height (A) (mm)	Width (B) (mm)	Depth (C) (mm)	Finish
TTRC90/W	60W	616mm	533mm	93mm	Chrome
TTRS120/W	120W	616mm	533mm	93mm	White
TTRC130/W	90W	851mm	533mm	93mm	Chrome
TTRC150/W	120W	851mm	787mm	93mm	Chrome
TTRS175/W	175W	851mm	533mm	93mm	White
S50C	45W	555mm	568mm	93mm	Chrome
S50W	45W	555mm	568mm	93mm	White

Colour/Finish

White stove enamel or chrome plated. As a plated finish radiates less heat away from its surface, the plated models have a lower loading compared with the equivalent physical size stove enamel model, so that both have a similar surface temperature.

IP rating

S: splash-proof IPX4 for bathroom use.

TTR: splash-proof IPX5 for bathroom use.

Electrical connections

Supply cable is provided for connection to the fixed wiring of the premises via a suitable double pole isolating switch. Installation must be carried out strictly in accordance with the current edition of the IEE wiring regulations. If the towel rail is fitted in a bathroom, essentially these regulations preclude the use of a plug and socket and any control switch must be normally inaccessible to a person using a fixed bath or shower. The pull cord of a cord-operated switch is not affected by this regulation.

Construction

Tubular steel.

S range

TTR range – water glycol filled.

Cable entry

All models – left or right hand.