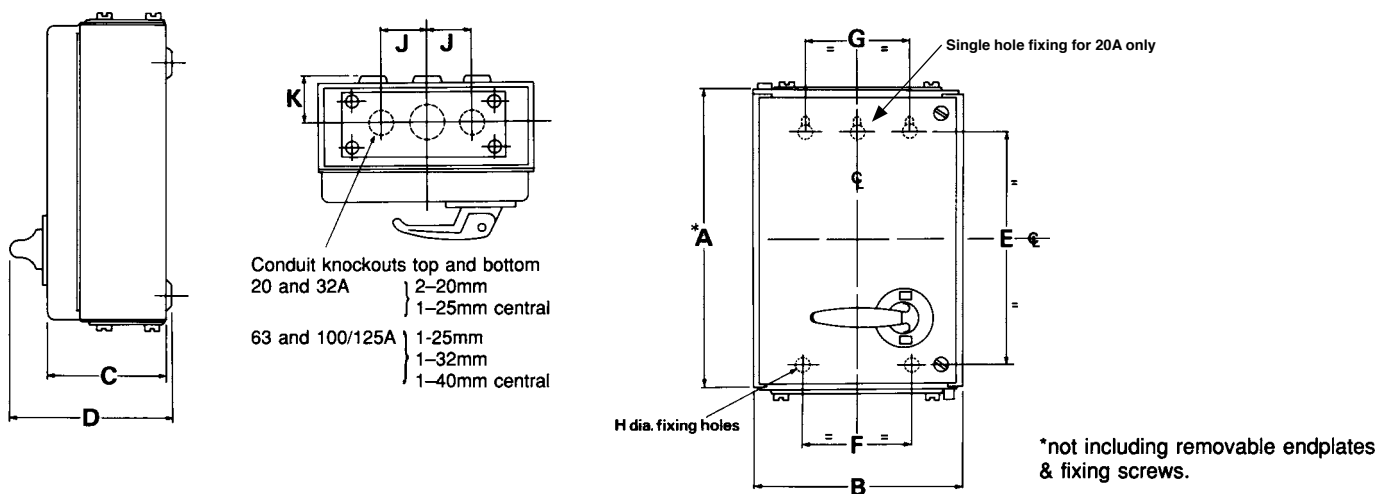


Exel 2 dimensions

Current rating, A	Dimensions, mm									
	A	B	C	D	E	F	G	H	J	K
Switch-disconnectors										
20	159	193	92	127	112	114	—	5.6	38.5	34
32	173	245	101	137	116	114	114	6.4	38.5	34
63	230	310	129	173	152	168	168	6.7	58	54
100/125	329	367	167	210	241	221	221	6.7	58	54
Switch-disconnector-fuses										
20	219	193	92	127	171	114	—	5.6	38.5	34
32	267	245	101	137	209	114	114	6.4	38.5	34
63	351	310	129	173	273	168	168	6.7	58	54
100/125	503	367	167	210	416	221	221	6.7	58	54



Performance values

Unit	Short time withstand current (r.m.s. amps for 1 second)	Short circuit making capacity (peak amps at 415v ac)	Rated fused short-circuit (prospective r.m.s. amps at 415v ac)
20A	640A	2.96 kA	80 kA
32A	960A	5.12 kA	80 kA
63A	2000A	6.62 kA	80 kA
100/125A	3750A	8.42 kA	80 kA