

# TECHNICAL DATASHEET

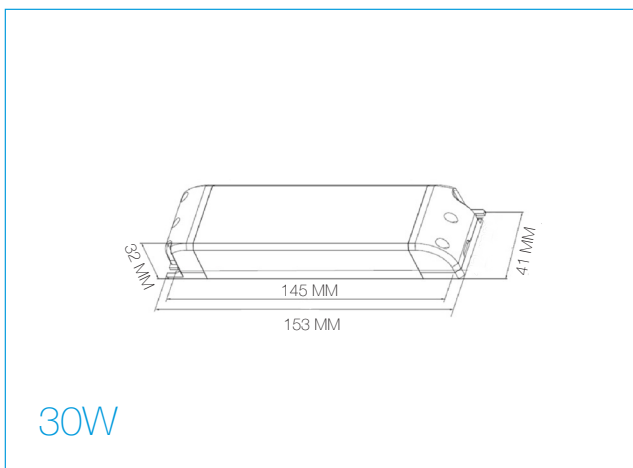
# ALL LED LTD

ADRCV1230  
12V DC CONSTANT VOLTAGE



## PRODUCT FEATURES

- Perfect Replacement for Incandescent and Fluorescent GLS Lamps
- Save up to 85% Energy when Compared to a 60W Incandescent
- High Output LED
- Opal Glass to Increase Omni-Directional Spread of Light Output
- Retrofit size



PRODUCT CODE	ADRCV1230
Operating Voltage	200-240 V AC
Output Voltage	12V DC
Output Wattage	1-30W
Output Current (Max.)	2.5A
Temperature	-15~+45°C